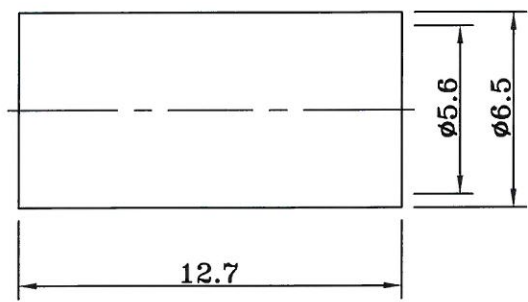
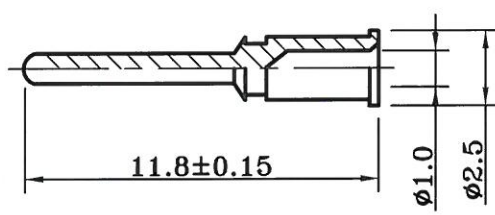
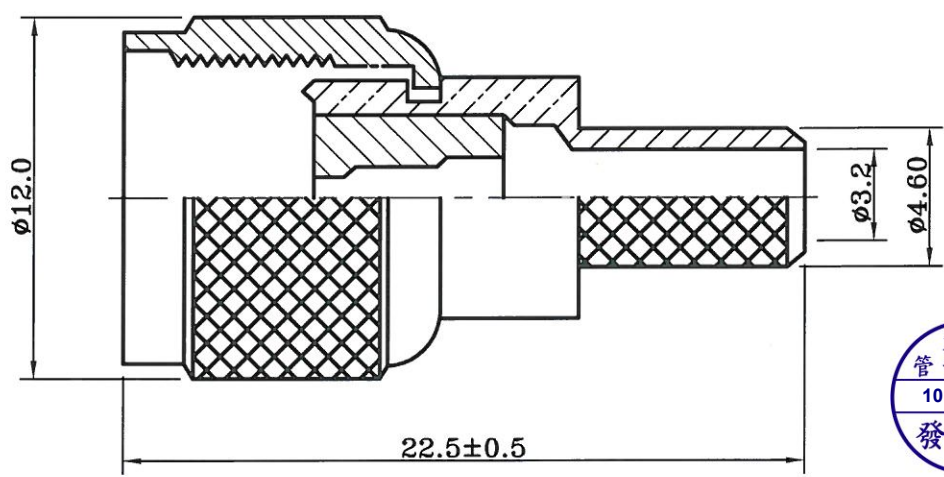


REV.	DESCRIPTION	DRAWN	ECN	DATE
A	NEW RELEASE(3006-12021)	TINA	12-255	03-24'2012



DESCRIPTION	MATERIALS	FINISHED
FERRULE	BRASS	NICKEL
SHELL	BRASS	NICKEL
CONTACT	BRASS	NICKEL
INSULATOR	DELTRIN	NATURAL
BODY	BRASS	NICKEL

RoHS
COMPLIANT
2002/95/EC

UNLESS OTHERWISE SPECIFIED ALL TOLERANCES ARE:	
DIMENSION	ANGLE
INTEGRAL DIMENSIONS ± 1.0	ANGULAR DIMENSIONS $\pm 5.0^\circ$
1 PLACE DECIMAL ± 0.5	HOLES UNDER $\phi 0.5 \pm 0.1$
2 PLACE DECIMALS ± 0.25	ROUGHNESS
FINISH: SEE TABLE	MATERIAL: SEE TABLE

nicon Precise Corp.

TITLE: MINI UHF ST. PLUG FOR RG58			
Model NO: 19802		Drawing NO: 12-19802	
DWN BY: TINA	DATE: 04-23'2012	UNIT: MM	SIZE: A4
CHK BY: <i>Yamp</i>	DATE: 04/24/2012	REV. A	CAD FILE: Z:\NEW Dwg\19XXX\19802
APVD BY: <i>Tina</i>	DATE: 4/26/2012	SCALE: 4:1	SHEET 1 OF 1