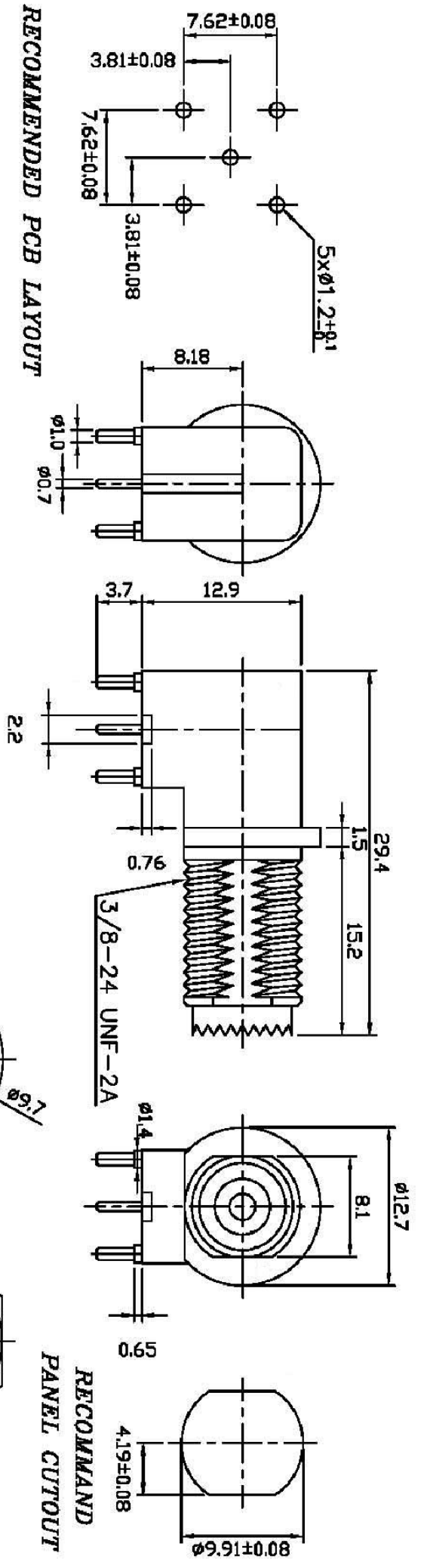


| REV. | DESCRIPTION | DRAWN | ECN | DATE |
|------|-------------------------|-------|--------|------------|
| A | NEW RELEASE (3006-9002) | TINA | 09-018 | 12-26/2008 |



RECOMMENDED PCB LAYOUT

RECOMMEND
PANEL CUTOUT

UNLESS OTHERWISE SPECIFIED ALL TOLERANCES ARE:

| DIMENSION | DIMENSIONS | ANGLE |
|------------------|------------|--------------------------|
| 1 INTEGRAL PLACE | ±1.0 | ANGULAR DIMENSIONS ±5.0° |
| 2 DECIMAL PLACE | ±0.5 | HOLE SIZES ±0.1 |
| | ±0.25 | ROUGHNESS |

RoHS

COMPLIANT
2002/95/EC

nicon Precise Corp.

| | | | |
|-----------|------|-------|------------|
| DRAWN BY: | TINA | DATE: | 12-26/2008 |
| ENGR BY: | TINA | DATE: | 12-26/2008 |
| APVD BY: | | DATE: | |

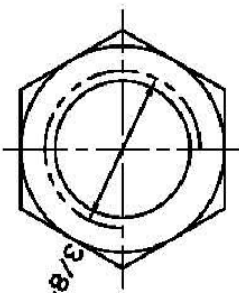
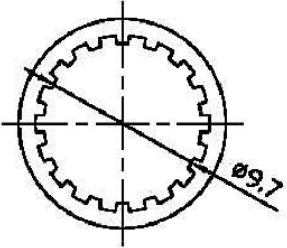
TITLE:

Mini-UHF R/A JACK PCB RECEPTACLE

Model No: 19801

Drawing No: 12-19801

| DESCRIPTION | MATERIALS | FINISHED |
|-------------|------------|----------|
| NUT | BRASS | NICKEL |
| WASHER | STEEL | NICKEL |
| CONTACT | P.BRONZE | TIN |
| POST | ZINC ALLOY | TIN |
| INSULATOR | PE | NONE |
| BODY | ZINC ALLOY | NICKEL |



FINISH: SEE TABLE
MATERIAL: SEE TABLE

APVD BY:

DATE:

SCALE: 2:1

SHEET 1 OF 1

CAD FILE: Z:\NEW dwg\19801.dwg