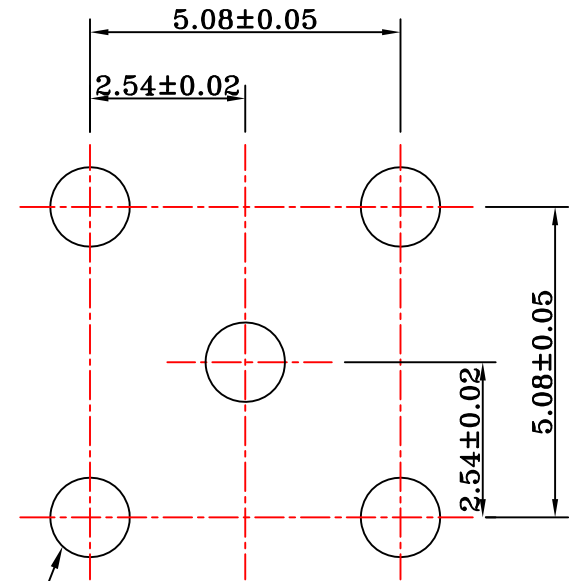
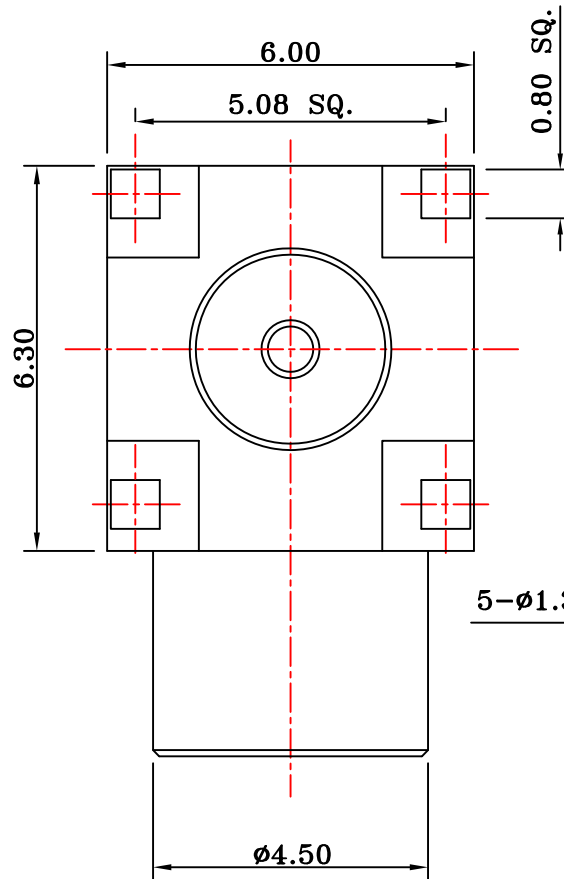
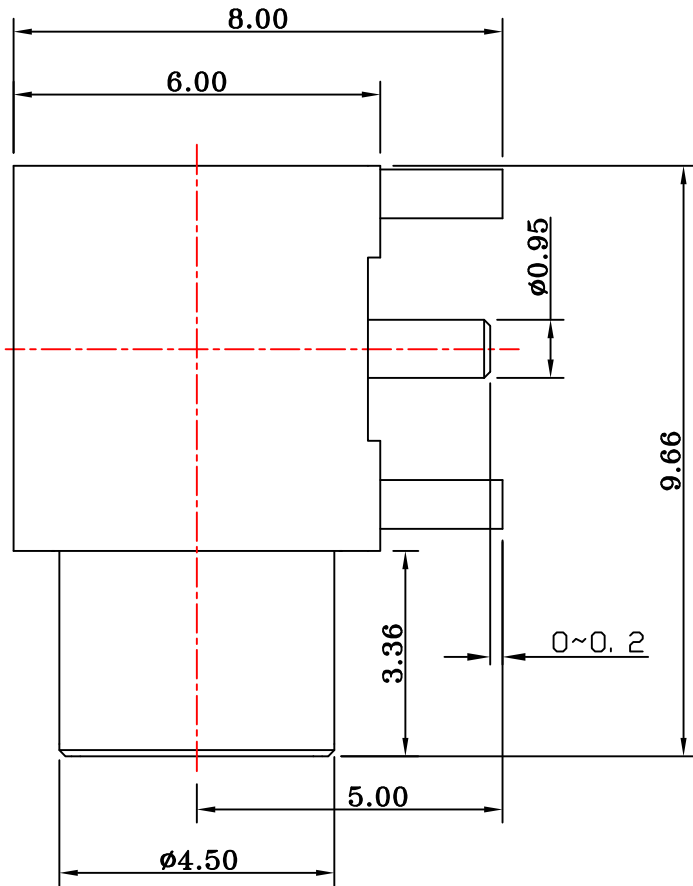


REV.	DESCRIPTION	DRAWN	ECN	DATE
A	NEW RELEASE	ANGELA	00-296	08-24'2000



5- $\phi 1.3^{+0.1}_{-0}$

**RECOMMENDED  
PCB HOLE**

**ELECTRICAL PERFORMANCE:**

1. IMPEDANCE : 50 Ohms
2. FREQUENCY RANGE : 0~6 GHz
3. WORKING VOLTAGE : 335 Vrms MAX
4. DIELECTRIC WITHSTANDING VOLTAGE : 1000 Vrms MAX

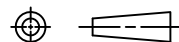
DESCRIPTION	MATERIALS	FINISHED
CONTACT	BE.COPPER	GOLD 30u"
INSULATOR (2)	TEFLON	NONE
BODY (2)	BRASS	GOLD
INSULATOR (1)	TEFLON	NONE
BODY (1)	BRASS	GOLD

**RoHS**

COMPLIANT  
2002/95/EC

UNLESS OTHERWISE SPECIFIED ALL TOLERANCES ARE:

DIMENSION	TOLERANCE	ANGLE	TOLERANCE
INTEGRAL DIMENSIONS	±1.0	ANGULAR DIMENSIONS	±5.0°
1 PLACE DECIMAL	±0.5	HOLES UNDER $\phi 0.5$	±0.1
2 PLACE DECIMALS	±0.25	ROUGHNESS	



FINISH: SEE TABLE MATERIAL: SEE TABLE

**nicon** Precise Corp.

DRAWN BY:	ANGELA	DATE:	08-24'2000
ENGR BY:	ANGELA	DATE:	08-24'2000
APVD BY:		DATE:	

TITLE: **MCX R/A JACK PCB RECEPTACLE**

Model NO: X102-010A

Drawing NO: X102-010A

UNIT:	MM	SIZE:	A4	REV.	A	CAD FILE :	
SCALE:	8:1	SHEET	1	OF	1	Z:\sales\MCX	