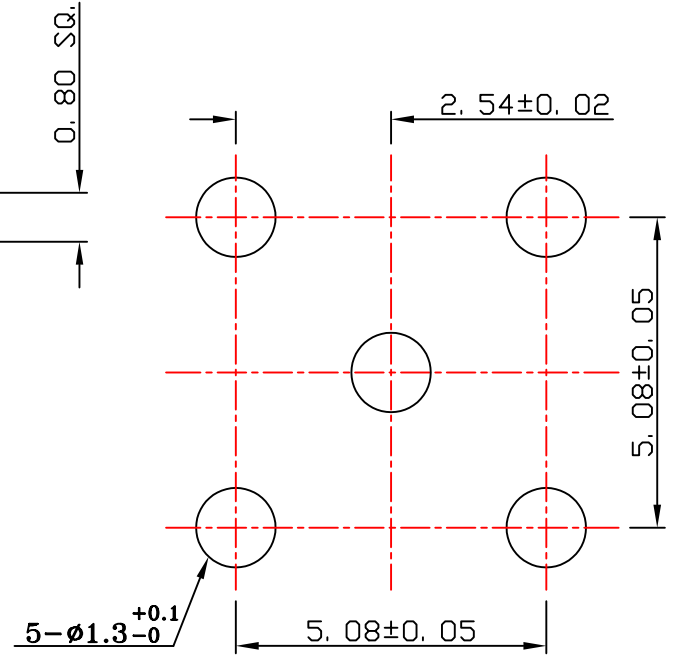
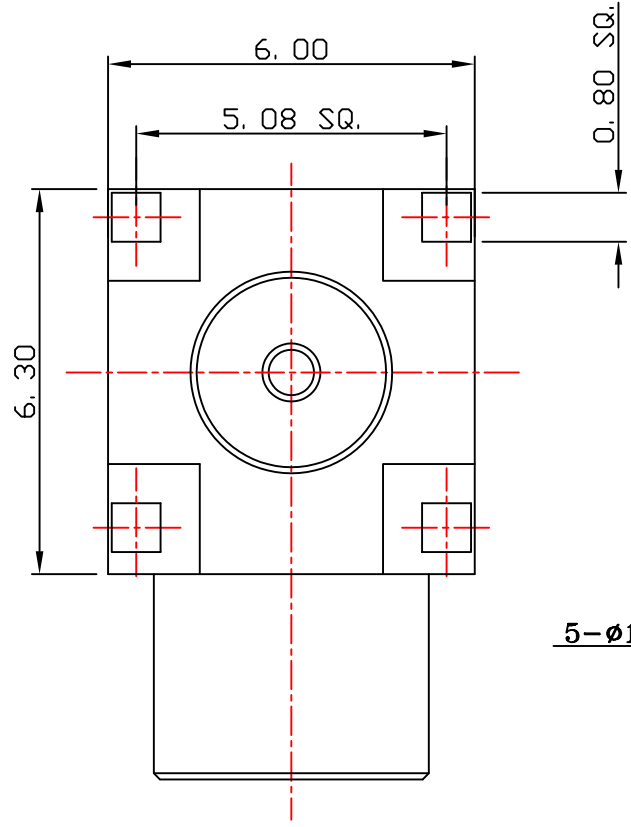
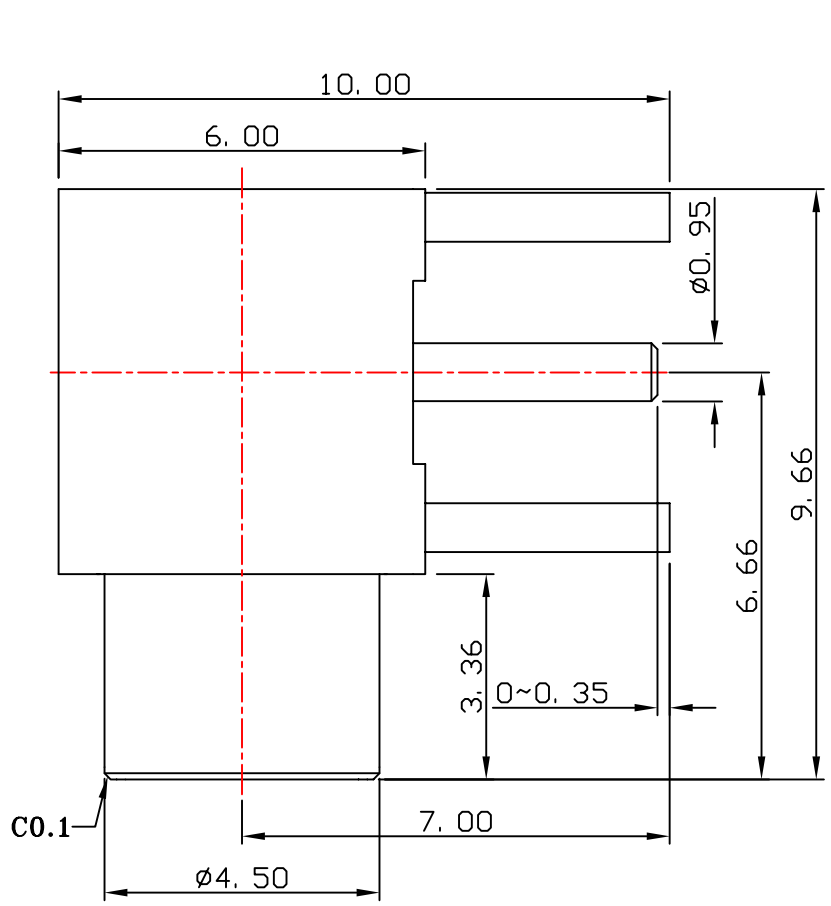


REV.	DESCRIPTION	DRAWN	ECN	DATE
E	SEE ECN	LUKE	01-367	12-13'2001
F	SEE ECN (3007-6148)	IRIS	06-175	07-03'2006



**RECOMMENDED
PCB HOLE**

ORDER	FINISHED
X102-000A	GOLD
X102-001A	NICKEL

ELECTRICAL PERFORMANCE

- 1.IMPEDANCE : 50 Ohms
- 2.FREQUENCY RANGE : 0~6 GHz
- 3.WORKING VOLTAGE : 335 Vrms MAX
- 4.DIELECTRIC WITHSTANDING VOLTAGE : 1000 Vrms MAX
- 5.INSULATOR RESISTANCE : 5000 MegOhms MIN

DESCRIPTION	MATERIALS	FINISHED
CONTACT	BE.COPPER	GOLD 30u"
INSULATOR	TEFLON	NONE
BODY	BRASS	GOLD/NICKEL
INSULATOR	TEFLON	NONE
BODY	BRASS	GOLD/NICKEL

RoHS
COMPLIANT
2002/95/EC

UNLESS OTHERWISE SPECIFIED ALL TOLERANCES ARE:	
DIMENSION	ANGLE
INTEGRAL DIMENSIONS ±1.0	ANGULAR DIMENSIONS ±5.0°
1 PLACE DECIMAL ±0.3	HOLES UNDER ∅0.5 ±0.1
2 PLACE DECIMALS ±0.15	ROUGHNESS
	FINISH: SEE TABLE
	MATERIAL: SEE TABLE



TITLE: MCX R/A JACK PCB RECEPTACLE

Model NO: X102-00XA

Drawing NO: 12-X102-00XA

DRAWN BY: JEFF DATE: 06-01'1998

ENGR BY: JEFF DATE: 06-01'1998

APVD BY: DATE:

UNIT:	MM	SIZE:	A4	REV.	F	CAD FILE :	
SCALE:	8:1	SHEET	1 OF 1	Z:\Sales\NEW Dwg\			