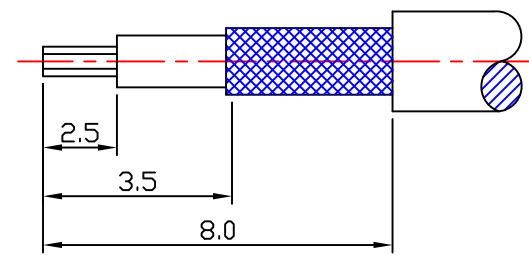
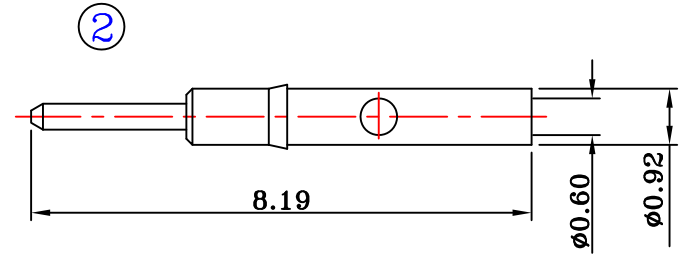
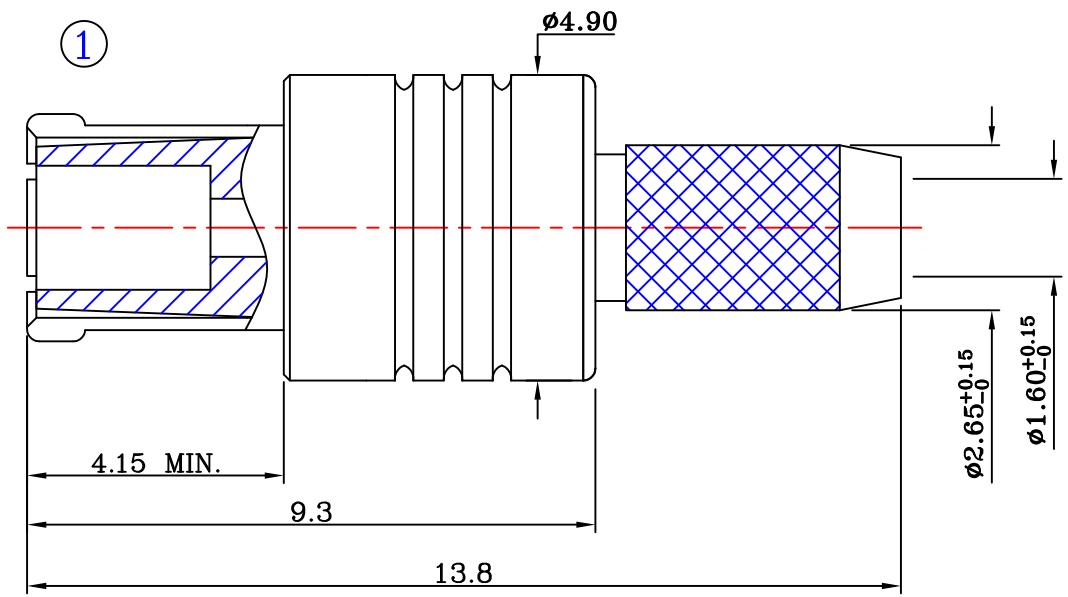


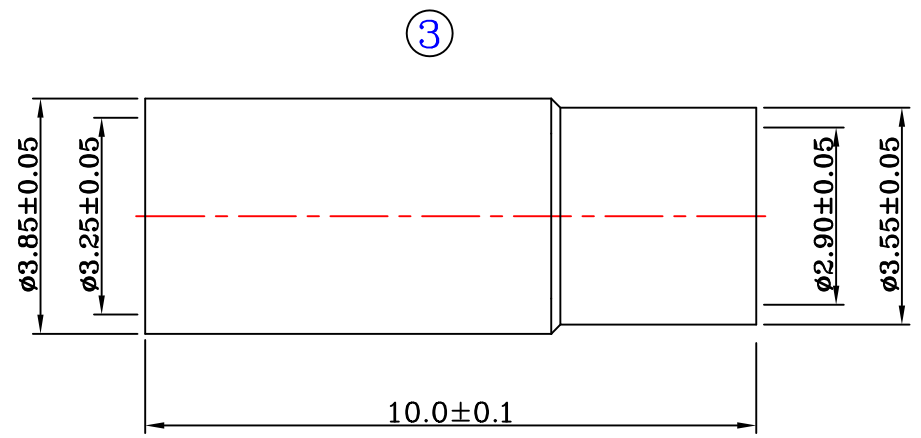
REV.	DESCRIPTION	DRAWN	ECN	DATE
G	SEE ECN	TINA	01-280	09-14'2001
H	SEE ECN (M910836)	LUKE	02-289	08-19'2002
I	SEE ECN (M911047)	LUKE	02-422	10-29'2002
J	SEE ECN (M920306)	LUKE	03-104	03-06'2003



**Recommended Cable Detail**

**ELECTRICAL RATINGS:**

1. Impedance : 50 ohms
2. Frequency Range : 0~6GHz
3. Working Voltage : 335 Vrms maximum
4. Dielectric Withstanding Voltage : 1000 Vrms maximum
5. Insulator Resistance : 1000 Megohms minimum



ORDER	FINISHED
X601-000A	GOLD
X601-001A	NICKEL

ITEM	DESCRIPTION	MATERIALS	FINISHED
3	FERRULE	BRASS	GOLD/NICKEL
2	CONTACT	BRASS	GOLD 30u"
1	INSULATOR	TEFLON	NONE
	BODY	BRASS	GOLD/NICKEL
	OUTER CONTACT	BE. COPPER	GOLD

**RoHS**  
COMPLIANT  
2002/95/EC

UNLESS OTHERWISE SPECIFIED ALL TOLERANCES ARE:	
DIMENSION	ANGLE
INTEGRAL DIMENSIONS ±1.0	ANGULAR DIMENSIONS ±5.0°
1 PLACE DECIMAL ±0.5	HOLES UNDER Ø0.5 ±0.1
2 PLACE DECIMALS ±0.25	ROUGHNESS
FINISH: SEE TABLE	MATERIAL: SEE TABLE



DRAWN BY:	JEFF	DATE:	07-30'2007
ENGR BY:	JEFF	DATE:	07-30'2007
APVD BY:		DATE:	

TITLE:	MCX STRAIGHT PLUG CRIMP TYPE FOR RG174,188,316 CABLE		
Model NO:	X601-00*A		
Drawing NO.:	X601-00*A		
UNIT:	MM	SIZE:	A4
SCALE:	8:1	SHEET:	1 OF 1
REV.:	J	CAD FILE:	Z:\sales\MCX