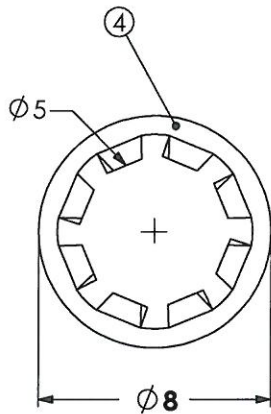
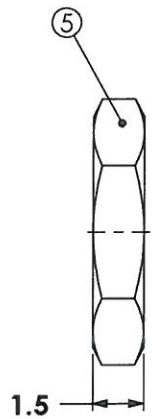
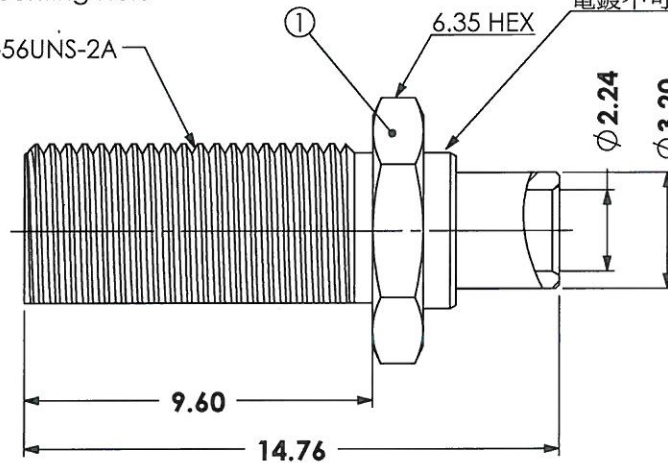


Recommended Mounting Hole

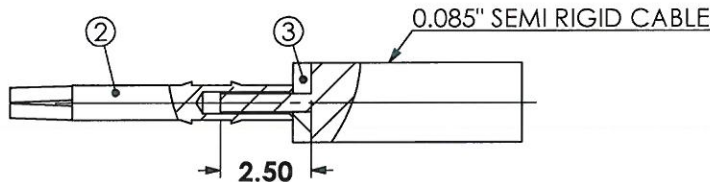
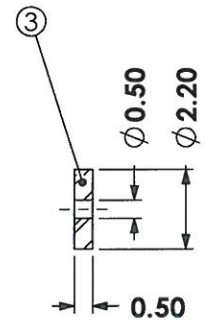
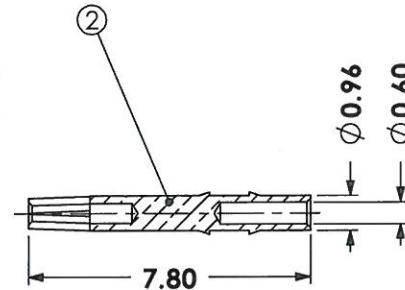
REV.	DESCRIPTION	DRAWN	ECN	DATE
1	PROPOSAL(3009-12127)	Mirror	x	10-22'2012
2	SAMPLE RELEASE(3002-12068)	Mirror	S12-116	12-10'2012
3	修改washer 尺寸(3002-12068)	Mirror	S13-004	01-10'2013
A	NEW RELEASE(3007-13040)	Mirror	13-062	02-22'2013



#10-56UNS-2A



兩主體卯合後,主體不可旋轉,電鍍不可剝落.



Recommended Cable Stripping Dim's

NOTES:
1.CONTACT PIN TO SOLDER
2.MAX. PANEL THICKNESS = 6.8 mm

ELECTRICAL RATINGS :
1.Impedance : 50 ohms
2.Frequency Range : 0~6 GHz
3.Working Voltage : 335 Vrms Maximum
4.Dielectric Withstanding Voltage : 750 V rms Max.



5	HEX NUT	BRASS	GOLD
4	LOCK WASHER	BRASS	GOLD
3	INSULATOR 2	TEFLON	NATURAL
2	CONTACT	BERYLLIUM COPPER	GOLD
1	BODY 2	BRASS	GOLD
	INSULATOR 1	TEFLON	NATURAL
	BODY 1	BRASS	GOLD
ITEMS	DESCRIPTION	MATERIAL	FINISHED

RoHS
COMPLIANT
2002/95/EC

UNLESS OTHERWISE SPECIFIED ALL TOLERANCES ARE :

DIMENSION	ANGLE
INTEGRAL DIMENSIONS ±1.0	ANGULAR DIMENSIONS ±5.0°
1 PLACE DECIMAL ±0.5	HOLES UNDER Ø0.5 ±0.1
2 PLACE DECIMALS ±0.25	ROUGHNESS
	FINISH: SEE TABLE
	MATERIAL: SEE TABLE

nicon Precise Corp.

TITLE: MCX BULKHEAD DIRECT SOLDER JACK
(FOR .085" .086" SEMI RIGID CABLE)

Model NO: 28401

Drawing NO: 12-28401

DWN BY:	Mirror	DATE:	10-22'2012
CHK BY:		DATE:	
APVD BY:	J.S.S.	DATE:	2/25/2013

UNIT:	MM	SIZE:	A4	REV.	A	CAD FILE:	NEW Dwg\28XXX
SCALE:	5:1	SHEET:	1	OF	1	\28401	