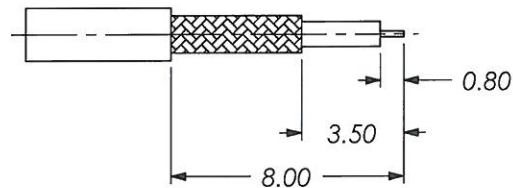
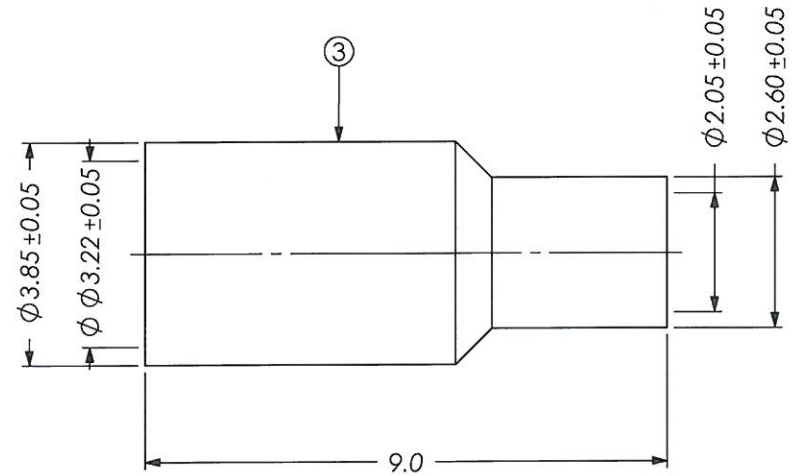
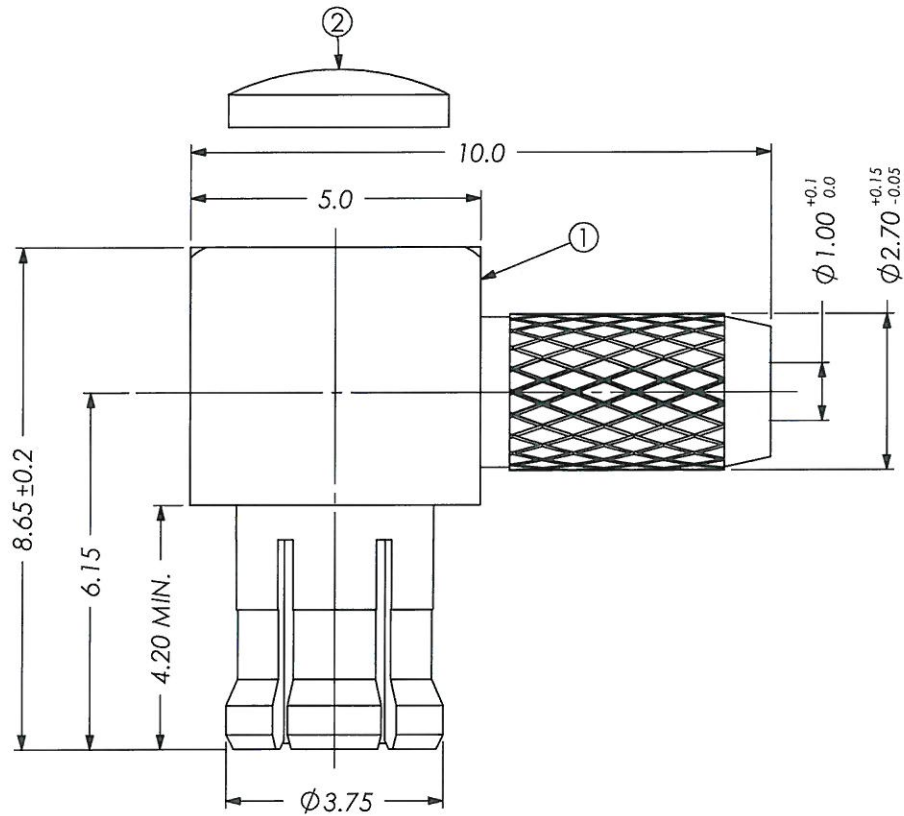


| REV. | DESCRIPTION | DRAWN | ECN | DATE |
|------|--------------------------|-------|--------|------------|
| A | NEW RELEASE (3002-11049) | TINA | 11-372 | 08-09'2011 |
| B | SEE ECN(3007-12144) | TINA | 12-156 | 03-15'2012 |



Recommended Cable Detail
=====

ELECTRICAL PERFORMANCE :

1. Impedance : 50 ohms
2. Frequency Range : DC~ 6GHz
3. Working Voltage : 250 Vrms maximum
4. Dielectric Withstanding Voltage : 750 Vrms maximum

| 3 | FERRULE | BRASS | GOLD FLASH | 14M000-101 |
|------|---------------|------------|------------|-------------|
| 2 | BODY CAP | BRASS | GOLD FLASH | 10X000-104 |
| 1 | CONTACT | BRASS | GOLD FLASH | 28305 |
| | INSULATOR | TEFLON | NATURAL | |
| | OUTER CONTACT | Be. COPPER | GOLD 4U" | |
| | BODY | BRASS | GOLD FLASH | |
| ITEM | DESCRIPTION | MATERIALS | FINISHED | PART NUMBER |

RoHS
COMPLIANT
2002/95/EC

UNLESS OTHERWISE SPECIFIED ALL TOLERANCES ARE :

| | |
|--------------------------|--------------------------|
| DIMENSION | ANGLE |
| INTEGRAL DIMENSIONS ±1.0 | ANGULAR DIMENSIONS ±5.0° |
| 1 PLACE DECIMAL ±0.5 | HOLES UNDER Ø0.5 ±0.1 |
| 2 PLACE DECIMALS ±0.25 | ROUGHNESS |

| | | | |
|--|-------------------|--|---------------------|
| | FINISH: SEE TABLE | | MATERIAL: SEE TABLE |
|--|-------------------|--|---------------------|

nicon Precise Corp.

TITLE: MCX R/A PLUG CRIMP TYPE FOR RG 178/U CABLE

Model NO: 28305

Drawing NO: 12-28305

| | | | |
|----------|-----------------|-------|------------|
| DWN BY: | TINA | DATE: | 08-09'2011 |
| CHK BY: | <i>John</i> | DATE: | 03/15'2012 |
| APVD BY: | <i>J. H. S.</i> | DATE: | 3/16/2012 |

| | | | | | | |
|--------|-------|-------|----|------|---|--------------------------------------|
| UNIT: | MM | SIZE: | A4 | REV. | B | CAD FILE: NEW Dwg/28XXX /28305 |
| SCALE: | 8 : 1 | SHEET | 1 | OF | 1 | |