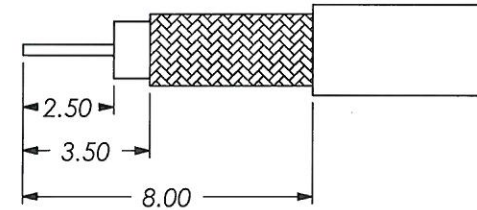
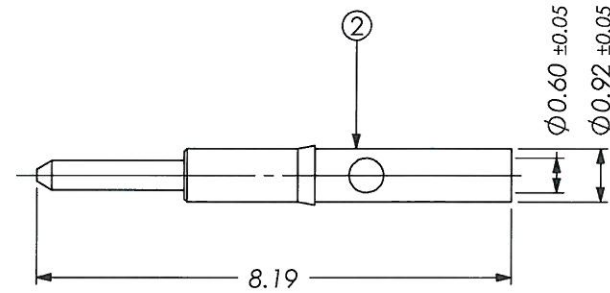
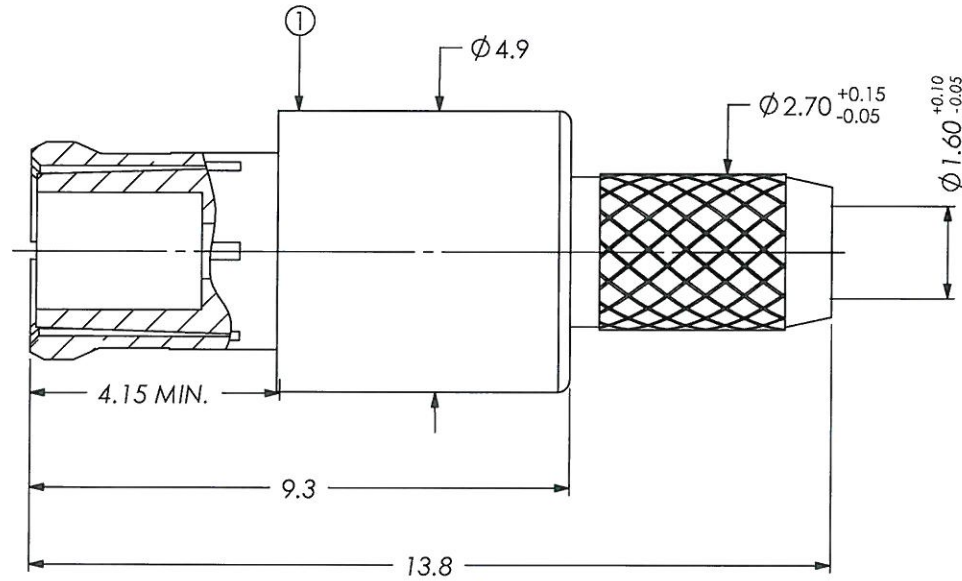


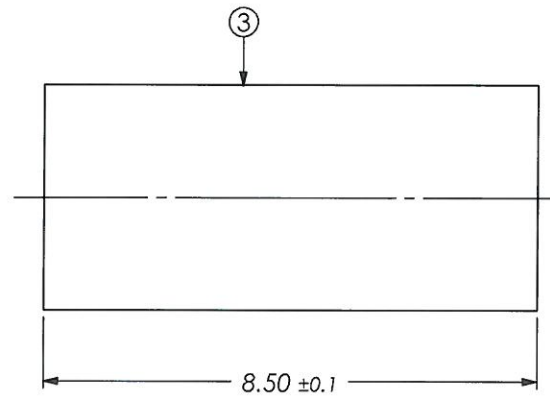
REV.	DESCRIPTION	DRAWN	ECN	DATE
A	NEW RELEASE(3007-11493)	Kaiser	11-365	08-10'2011



Recommended CABLE DETAIL  
=====

ELECTRICAL PERFORMANCE :  
 1.Impedance : 50 ohms  
 2.Frequency Range : 0~3GHz  
 3.Working Voltage : 335 Vrms MAX.  
 4.Dielectric withstanding Vlotage : 750 Vrms MAX.

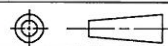
3	FERRULE	BRASS	NICKEL
2	CONTACT	BE. COPPER	GOLD
1	INSULATOR	TEFLON	NATURAL
	BODY	BRASS	GOLD
	OUTER CONTACT	Be.COPPER	GOLD
ITEM	DESCRIPTION	MATERIALS	GOLD



**RoHS**  
COMPLIANT  
2002/95/EC

UNLESS OTHERWISE SPECIFIED ALL TOLERANCES ARE :

DIMENSION		ANGLE	
INTEGRAL DIMENSIONS	±1.0	ANGULAR DIMENSIONS	±5.0°
1 PLACE DECIMAL	±0.5	HOLES UNDER Ø0.5	±0.1
2 PLACE DECIMALS	±0.25	ROUGHNESS	



FINISH: SEE TABLE MATERIAL: SEE TABLE

**nicon** Precise Corp.

DRAWN BY: Kaiser DATE: 08-10'2011  
 ENGR BY: Kaiser DATE: 08-10'2011  
 APVD BY: [Signature] DATE: 8/11/2011

TITLE: MCX ST. PLUG CRIMP TYPE FOR RG179 CABLE

Model NO: 28205

Drawing NO: 12-28205

UNIT: MM SIZE: A4 REV. A  
 SCALE: 8:1 SHEET 1 OF 1

CAD FILE:  
 :NEW Dwg\28XXX\28205