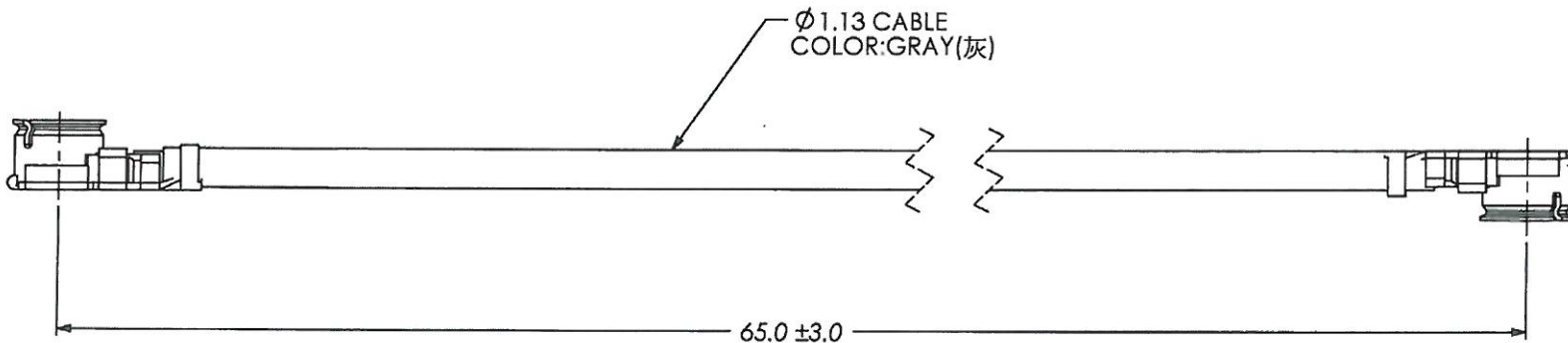
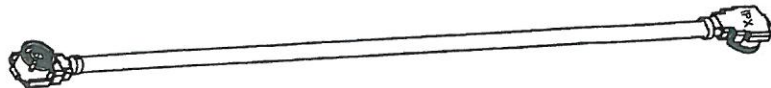


REV.	DESCRIPTION	DRAWN	ECN	DATE
1	SAMPLE(3009-13110-07042)	ERIC	X	07-22'2013



ELECTRICAL PERFORMANCE :

1. Impedance : 50 ohms
2. Frequency Range : DC~ 6GHz
3. WORKING VOLTAGE: AC60V MAX.
4. DIELECTRIC WITHSTANDING VOLTAGE: AC200V MAX.

Ø1.13 CABLE	GRAY	1
IPEX CONNECTOR (20278-112R-13)	GOLD	2
DESCRIPTION	FINISHED	Q'TY

RoHS
COMPLIANT
2002/95/EC

UNLESS OTHERWISE SPECIFIED ALL TOLERANCES ARE :

DIMENSION		ANGLE	
INTEGRAL DIMENSIONS	±1.0	ANGULAR DIMENSIONS	±5.0°
1 PLACE DECIMAL	±0.5	HOLES UNDER Ø0.5	±0.1
2 PLACE DECIMALS	±0.25	ROUGHNESS	

FINISH: SEE TABLE MATERIAL: SEE TABLE

nicon Precise Corp.

DWN BY:	ERIC	DATE:	07-22'2013
CHK BY:		DATE:	
APVD BY:	J. S. S.	DATE:	7/22/2013

TITLE: IPEX TO IPEX FOR Ø1.13 CABLE GRAY(灰) 6.5 CM

Model NO: IPEXIPEX113A-0065C

Drawing NO: 12-IPEXIPEX113A-0065C

UNIT:	MM	SIZE:	A4	REV.	1	CAD FILE:	
SCALE:	5:1	SHEET	1	OF	1		