

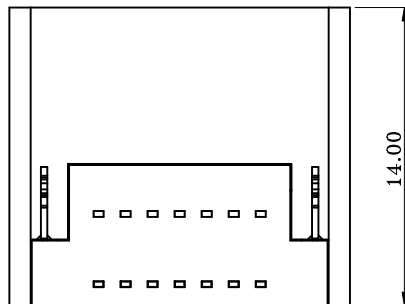
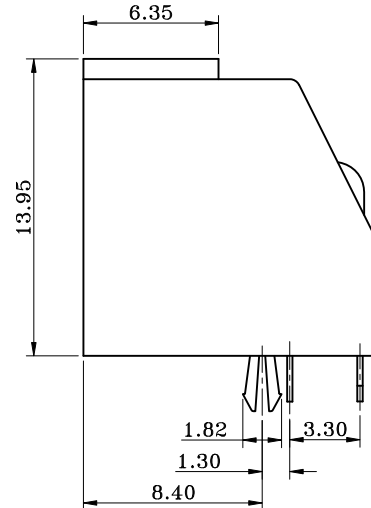
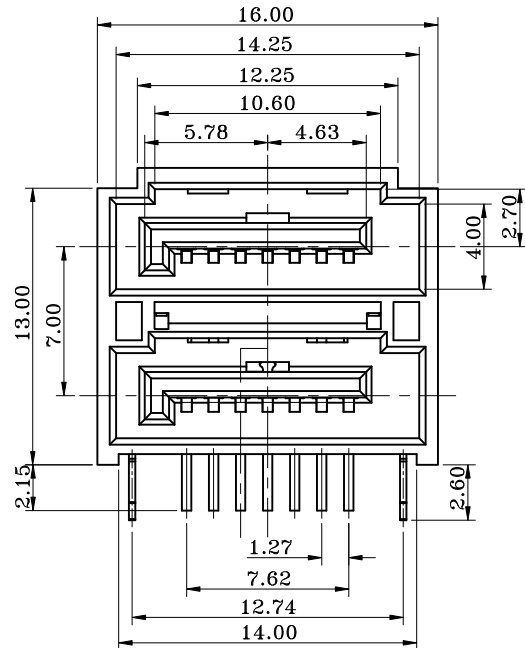
A

B

C

D

E



1. MATERIAL:
 - 1.1 INSULATOR: SEE ORDER INFORMATION, UL94V-0.
INSULATOR COLOR: SEE ORDER INFORMATION.
 - 1.2 CONTACT: BRASS, SELECTIVE GOLD PLATED (SEE ORDER INFORMATION)
IN CONTACT AREA, 80u" MIN TIN PLATED IN SOLDER
AREA, 30u" MIN. NICKEL UNDERPLATED OVERALL.
 - 1.3 BOARD LOCK: BRASS, 80u" MIN. TIN PLATED OVER,
30u" MIN. NICKEL UNDERPLATED OVERALL.
2. ELECTRICAL CHARACTERISTICS:
 - 2.1 CURRENT RATING: 1.5 AMP.
 - 2.2 CONTACT RESISTANCE: 30mΩ MAX.
 - 2.3 INSULATION RESISTANCE: 1000MΩ MIN.
 - 2.4 DIELECTRIC WITHSTANDING VOLTAGE: AC 500V PER MINUTE.
 - 2.5 OPERATING TEMPERATURE: -40°C~+105°C.
3. NOTES:
 - 3.1 THIS COMPONENT AND ITS HOMOGENEOUS
SUBCOMPONENTS ARE RoHS COMPLIANT.
 - 3.2 RESISTANCE TO SOLDERING HEAT: 265°C FOR 5 SECONDS,
AND ONLY FOR WAVE SOLDERING PROCESS.
4. ORDER INFORMATION:

SE3112 X X 1 SX-07B

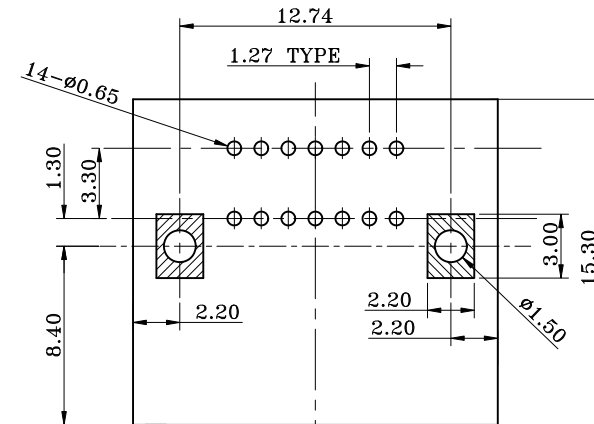
INSULATOR MATERIAL:

B: LCP
E: PA6T

INSULATOR COLOR:

B: BLACK
G: GREEN
R: RED

CONTACT PLATED:

S1: 1u" GOLD S4: 10u" GOLD
S2: 3u" GOLD S5: 15u" GOLD
S3: 5u" GOLD S6: 30u" GOLDRECOMMENDED PCB LAYOUT(PCB THICKNESS: 1.6mm)
COMPONENT SIDE VIEW(TOLERANCE: ±0.05)

1

2

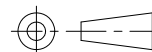
3

4

5

REV.	DESCRIPTION	ECN	DRAWN	DATE
A	NEW RELEASE		Lidar	Dec.11.2009

REVISIONS

TOLERANCES:
DIM. XX ±0.3
X.XX ±0.25
UNIT: mm
GENERAL ANGLE:
±3°

TITLE:				
DUAL SATA 7P FEMALE R/A DIP TYPE				
DRAWN:	Lidar	DWG. NO.:	SE3112XX1SX-07B	
CHECKED:	Brant	PART NO.:	SE3112XX1SX-07B	
APPROVAL:	Mark	SCALE:	SHEET:	LAYER:
		none	1 OF 1	CN
			DWG. SIZE:	RFQ NO.:
			A4	xxxx



ARTICLE: CPC-CN-001-B