

A

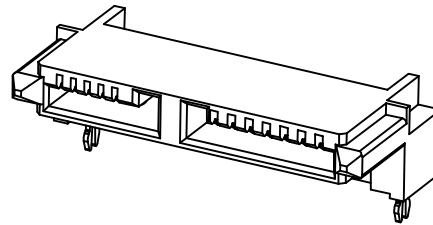
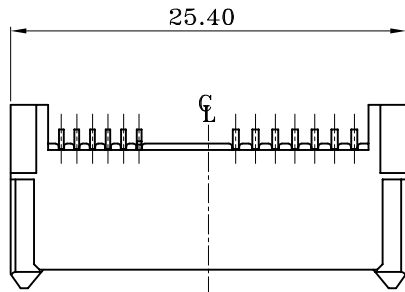
B

C

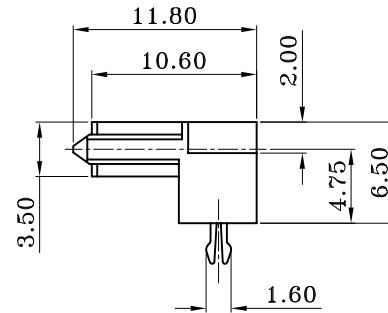
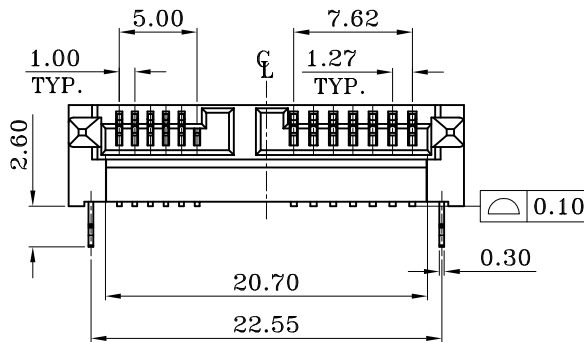
D

E

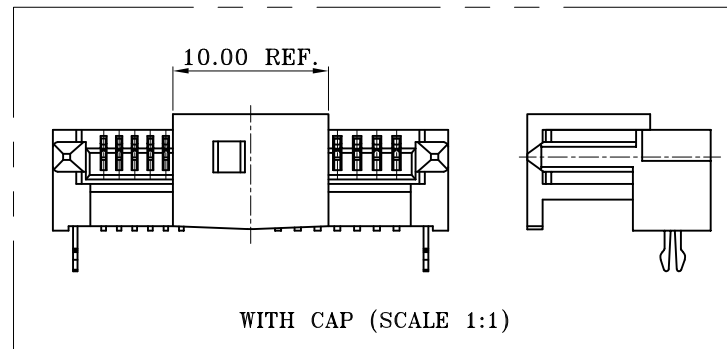
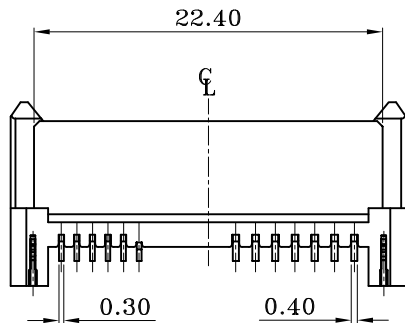
1



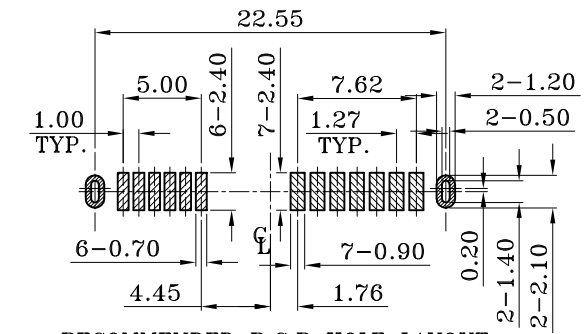
2



3



4



RECOMMENDED P.C.B HOLE LAYOUT  
COMPONENT SIDE VIEW(TOLERANCE:  $\pm 0.05$ )

## 1. MATERIAL:

- 1.1 INSULATOR: LCP+G.F. UL 94V-0, COLOR: BLACK.  
1.2 CONTACT: PHOSPHOR BRONZE, SELECTIVE GOLD (SEE ORDER INFORMATION) PLATED IN CONTACT AREA, 80u" MIN. TIN PLATED IN SOLDER AREA, 30u" MIN. NICKEL UNDERPLATED OVERALL.  
1.3 CAP: LCP+G.F. UL 94V-0, COLOR: BLACK.  
1.4 PEG: BRASS, 80u" MIN. TIN PLATED OVER, 30u" MIN. NICKEL UNDERPLATED OVERALL.

## 2. SPECIFICATIONS:

- 2.1 CURRENT RATING: 1.5 A.  
2.2 CONTACT RESISTANCE: 30m $\Omega$  MAX.  
2.3 INSULATION RESISTANCE: 1000M $\Omega$  MIN.  
2.4 DIELECTRIC WITHSTANDING VOLTAGE: 500V AC.  
2.5 OPERATING TEMPERATURE: -40°C ~ +105°C

## 3. NOTES:

- 3.1 RESISTANCE TO SOLDERING HEAT: 265°C FOR 10 SECONDS.  
3.2 THIS COMPONENT AND ITS HOMOGENEOUS SUBCOMPONENTS ARE ROHS COMPLIANT.

## 4. ORDER INFORMATION:

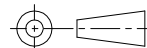
SE1112BB2SX-13A

## CONTACT PLATED:

S1: Gold Flash S4: 10u" Gold  
S2: 3u" Gold S5: 15u" Gold  
S3: 5u" Gold S6: 30u" Gold

5

TOLERANCES:  
DIM. X.X= $\pm 0.3$   
X.XX= $\pm 0.25$   
X.XXX= $\pm 0.15$   
UNIT: mm  
GENERAL ANGLE:  
 $\pm 3^\circ$



## TITLE:

SATA 7+6P H6.5 FEMALE R/A SMT TYPE

DRAWN: Javen

DWG NO.: SE1112BB2SX-13A

CHECKED: Brant

PART NO.: SE1112BB2SX-13A

APPROVAL: Mark

SCALE: none

SHEET: 1 OF 1

LAYER: CN



RFQ NO.:  
Q0907255

REVISIONS

| REV. | DESCRIPTION | ECN | Javen | Jul.27.2009 |
|------|-------------|-----|-------|-------------|
| A    | NEW RELEASE |     | Javen | Jul.27.2009 |