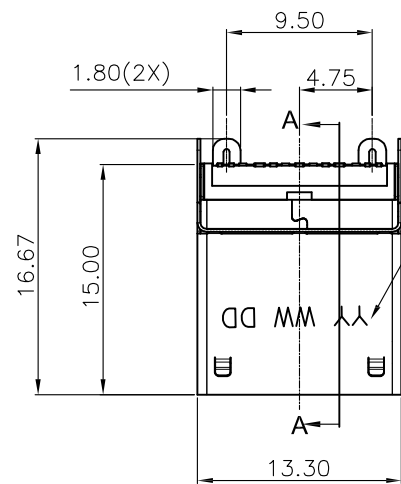
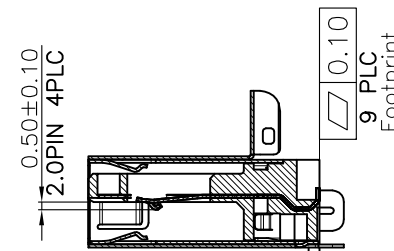
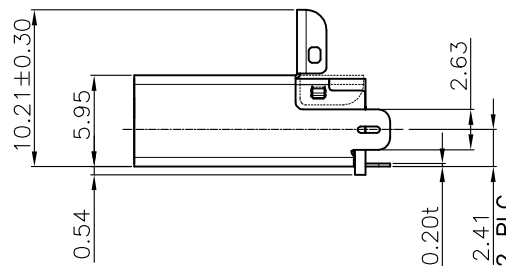
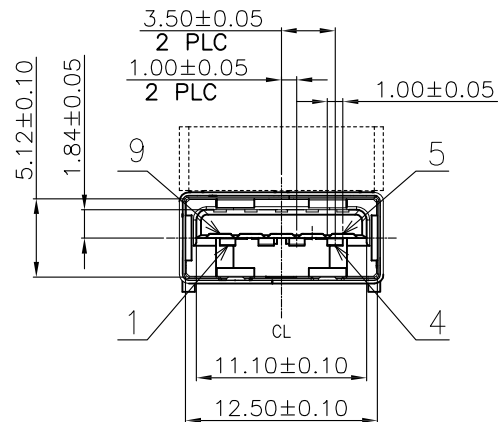
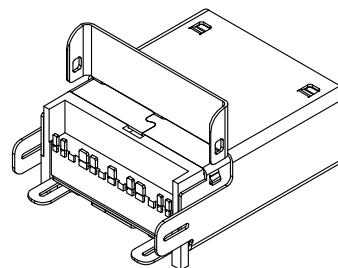


PROPOSAL DRAWING



YY: Year for production
 WW: Week for production
 DD: Day for production



SECTION A-A

NOTES:

1. MATERIAL:
 - 1.1 SHELL: STAINLESS STEEL, T=0.20mm.
 - 1.2 MOLDING: THERMAL PLASTIC, COLOR BLUE.
 - 1.3 CONTACTS: PHOSPHOR BRONZE, T=0.20mm.
2. FINISH:
 - 2.1 CONTACTS: PLATED 50u" NI OVERALL.
 PLATED Au SELECTIVE CONTACT AREA,
 PLATED 100u" TIN OVER NI ON SOLDER AREA.
3. SPECIFICATIONS:
 - 3.1 CURRENT RATING: 5V, 1.8A
 - 3.2 LLCR: 30 MILLIOHMS MAX. FOR VBUS AND GND.
 ALL OTHER CONTACTS 50 MILLIOHMS MAX.
 - 3.3 INSERTION FORCE 3.5kgf MAX.
 - 3.4 EXTRACTION FORCE 1.0kgf MIN.
 - 3.5 DURABILITY: 1500 CYCLES
4. OTHERS:
 - 4.1 THIS COMPONENT AND ITS HOMOGENEOUS SUB COMPONENTS ARE RoHS COMPLIANT.
 - 4.2 COMPLIANT WITH REFLOW SOLDERING LEAD-FREE.
 - 4.3 COMPLIANT WITH HAND SOLDERING LEAD-FREE.

QUALITY SYMBOLS MAJOR CRITICAL GENERAL TOLERANCES (UNLESS SPECIFIED) X. ±0.25 .X ±0.20 .XX ±0.15 .XXX ±0.10 ANGLES ±2°	DRAWN BY	DATE	CompuPack
	Tiffany	2019/09/25	
	CHECKED BY	DATE	USB3.0/3.1 A/F 9 PIN SMT VERTICAL RECEPTACLE
	Kim	2019/09/25	
	APPROVED BY	DATE	RFQ NO.
	John	2019/09/25	N/A
	UNITS		SIZE
	mm		A4
	SCALE	SHEET NO.	REV
	X : X	X OF X	X
			DWG NO.
			NU3AF-V000S09-6A15W-04-L