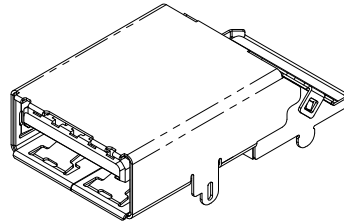
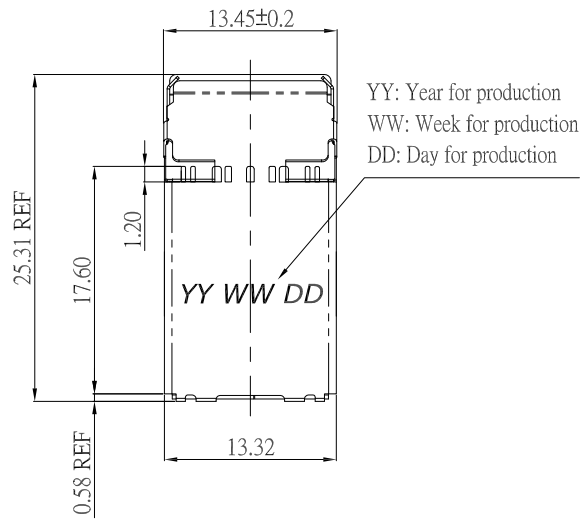


PROPOSAL DRAWING



NOTES:

1. MATERIAL:

- 1.1 SHELL: STAINLESS STEEL, T=0.20mm.
- 1.2 MOLDING: THERMAL PLASTIC, COLOR BLUE.
- 1.3 CONTACTS: PHOSPHOR BRONZE, T=0.20mm.

2. FINISH:

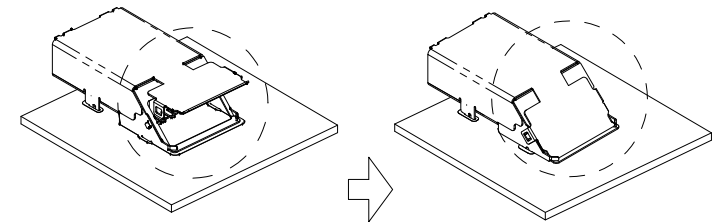
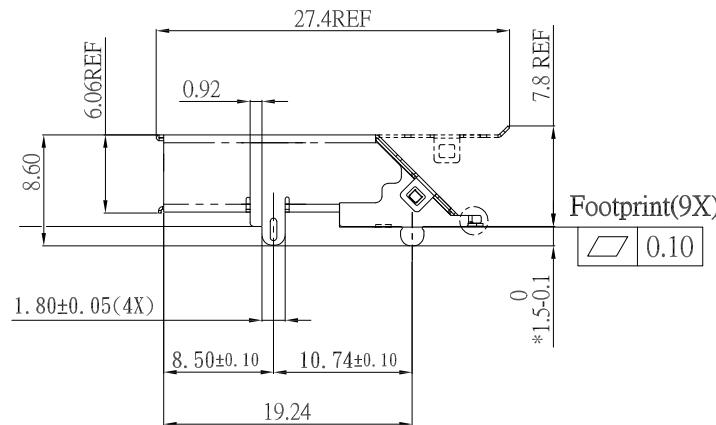
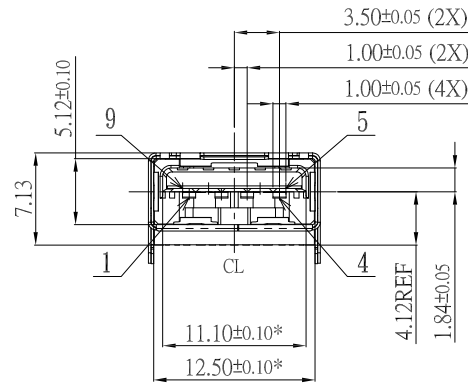
- 2.1 CONTACTS: PLATED 50u" NI OVERALL.
 PLATED Au SELECTIVE CONTACT AREA,
 PLATED 100u" TIN OVER NI ON SOLDER AREA.

3. SPECIFICATIONS:

- 3.1 CURRENT RATING: 5V, 1.8A
- 3.2 LLCR: 30 MILLIOHMS MAX. FOR VBUS AND GND.
 ALL OTHER CONTACTS 50 MILLIOHMS MAX.
- 3.3 INSERTION FORCE 3.5kgf MAX.
- 3.4 EXTRACTION FORCE 1.0kgf MIN.
- 3.5 DURABILITY: 1500 CYCLES

4. OTHERS:

- 4.1 THIS COMPONENT AND ITS HOMOGENEOUS SUB
 COMPONENTS ARE RoHS COMPLIANT.
- 4.2 COMPLIANT WITH REFLOW SOLDERING LEAD-FREE.
- 4.3 COMPLIANT WITH HAND SOLDERING LEAD-FREE.



| | | | |
|---|---------------------|---------------------|-------------------------------------|
| QUALITY SYMBOLS MAJOR Ⓢ CRITICAL Ⓢ GENERAL TOLERANCES (UNLESS SPECIFIED) X. ±0.25 .X ±0.20 .XX ±0.15 .XXX ±0.10 ANGLES ±2° | DRAWN BY Tiffany | DATE 2019/09/25 | |
| | CHECKED BY Kim | DATE 2019/09/25 | |
| | APPROVED BY John | DATE 2019/09/25 | RFO NO. N/A |
| | UNITS mm | | SIZE A4 |
| | SCALE X : X | SHEET NO. X OF X | REV X |
| | | | DWG NO. NU3AF-T127D09-6A15W-01-L |