

# PROPOSAL DRAWING

**NOTES:**

**1. MATERIAL:**

- 1.1 SHELL: STAINLESS STEEL, T=0.20mm.
- 1.2 MOLDING: THERMAL PLASTIC, COLOR BLUE.
- 1.3 CONTACTS: PHOSPHOR BRONZE, T=0.20mm.

**2. FINISH:**

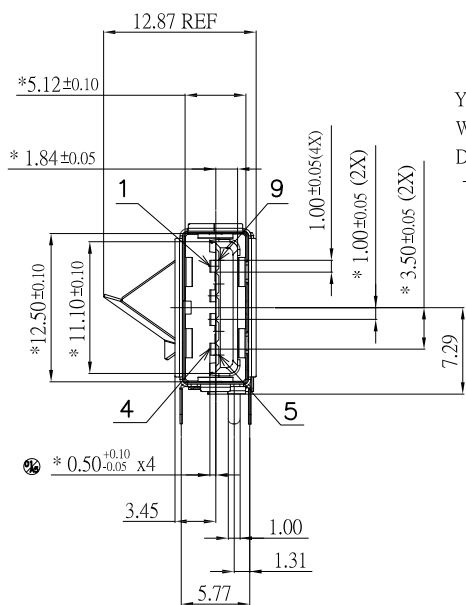
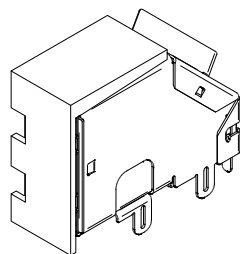
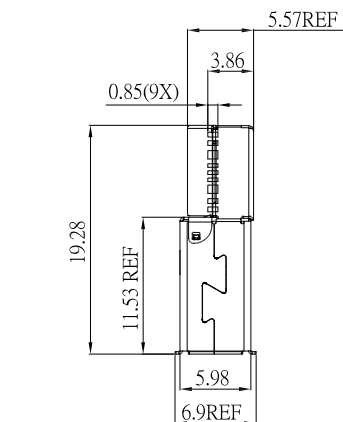
- 2.1 CONTACTS: PLATED 50u" NI OVERALL.  
PLATED Au SELECTIVE CONTACT AREA,  
PLATED 100u" TIN OVER NI ON SOLDER AREA.

**3. SPECIFICATIONS:**

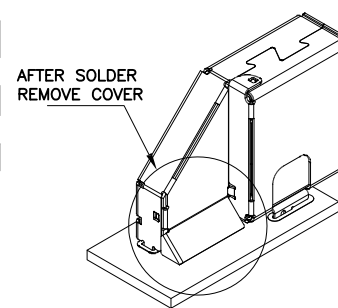
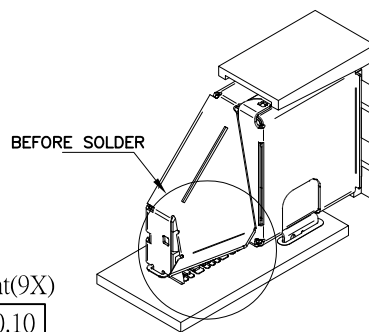
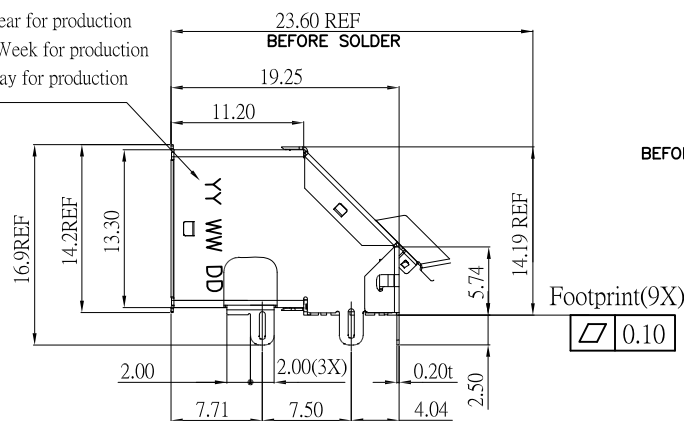
- 3.1 CURRENT RATING: 5V, 1.8A
- 3.2 LLCR: 30 MILLIOHMS MAX. FOR VBUS AND GND.  
ALL OTHER CONTACTS 50 MILLIOHMS MAX.
- 3.3 INSERTION FORCE 3.5kgf MAX.
- 3.4 EXTRACTION FORCE 1.0kgf MIN.
- 3.5 DURABILITY: 1500 CYCLES

**4. OTHERS:**

- 4.1 THIS COMPONENT AND ITS HOMOGENEOUS SUB COMPONENTS ARE RoHS COMPLIANT.
- 4.2 COMPLIANT WITH REFLOW SOLDERING LEAD-FREE.
- 4.3 COMPLIANT WITH HAND SOLDERING LEAD-FREE.



YY: Year for production  
WW: Week for production  
DD: Day for production



<b>QUALITY SYMBOLS</b> MAJOR Ⓢ CRITICAL Ⓢ <b>GENERAL TOLERANCES</b> (UNLESS SPECIFIED) X. ±2.0 X. ±1.0 .XX ±0.20 .XXX ±0.10 ANGLES ±1°	DRAWN BY Tiffany	DATE 2019/09/25		
	CHECKED BY Kim	DATE 2019/09/25		TITLE USB3.0/3.1 A/F 9 PIN SMT RIGHT ANGLE RECEPTACLE
	APPROVED BY John	DATE 2019/09/25	UNITS mm	SIZE A4
	SCALE X : X	SHEET NO. X OF X	REV X	RFO NO. N/A
				DWG NO. NU3AF-R000S09-6A15W-01-L