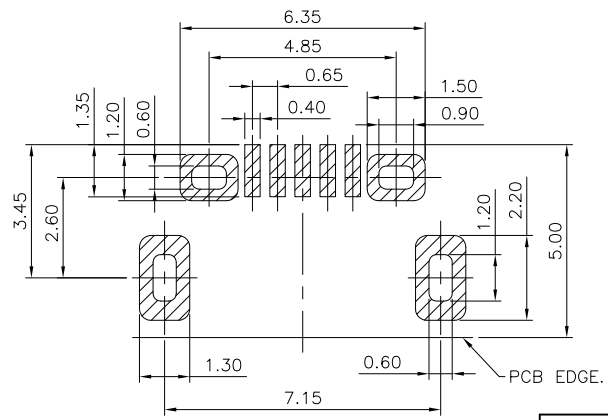
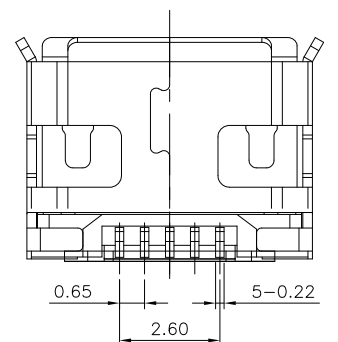
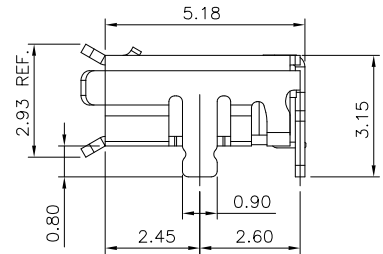
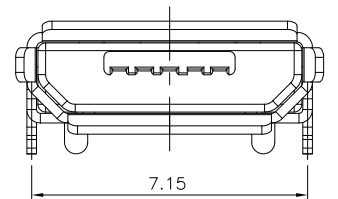


BACK VIEW



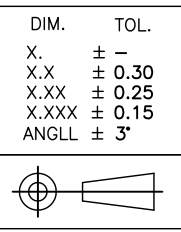
RECOMMENDED P.C.B LAYOUT
COMPONENT SIDE VIEW(TOLERANCE: ±0.05)

- NOTES:**
- MATERIAL:**
 - INSULATOR: HIGH TEMPERATURE PLASTIC, UL94V-0, COLOR: BLACK.
 - CONTACTS: COPPER ALLOY,
 - SHELL: SEE TABLE.
 - FINISH:**
 - CONTACTS: GOLD FLASH PLATED ENTIRE, NICKEL UNDERPLATED OVERALL.
 - SHELL: NICKEL PLATED ENTIRE.
 - SPECIFICATIONS:**
 - CURRENT RATING: 0.5A.
 - CONTACT RESISTANCE: 30mΩ MAX.
 - INSULATION RESISTANCE: 100MΩ MIN.
 - DIELECTRIC WITHSTANDING VOLTAGE: AC 250V/MINUTE.
 - OPERATING TEMPERATURE: -30°C TO +80°C.
 - OTHERS:**
 - THIS COMPONENT AND ITS HOMOGENEOUS SUB COMPONENTS ARE RoHS COMPLIANT.
 - RESISTANCE TO WAVE SOLDERING HEAT 235±5°C FOR 5±0.5 SECONDS.
 - SOLDER TAIL COPLANARITY 0.15mm MAX.

REEL	SK5	ACNUB220079-101
	STAINLESS STEEL	ACNUB220079-001
PACKING	SHELL MATERIAL	CPC P/N.

REV.	DESCRIPTION	ECN NO.	NAME	DATE
A0	FIRST RELEASED	-	Alice	26-Apr-2017

REVISIONS



TITLE: MICRO USB B TYPE 5P R/A SMT REC H2.35mm			
DWG. NO.: C = ACNUB220079			
UNIT: mm	DWG SIZE: A4	SCALE: none	SHEET: 1 OF 1

DRAWN: Alice
CHECKED: Kim
APPROVED: Kim

RFQ NO.:
M1604002