

A

B

C

D

E

1

PRELIMINARY
Subject to Change without notice

NOTES:

1. MATERIAL:

- 1.1 INSULATOR: PBT(4830), UL94V-0. COLOR: BLACK,
- 1.2 BRACKET: LCP(E130i), UL94V-0. COLOR: BLACK,
- 1.3 CONTACTS: BRASS(C2680).
- 1.4 BOARDLOCK: STEEL(SK5).
- 1.5 SHIELD: STAINLESS STEEL(SUS430).
- 1.6 FRONT SHELL: SPCC(SPCC-SD).
- 1.7 RIVET: BRASS(C3601).

2. FINISH:

- 2.1 CONTACTS: GOLD FLASH PLATED ON CONTACT AREA,
100 μ " MIN. TIN PLATED ON SOLDER AREA,
30 μ " MIN. NICKEL UNDERPLATED OVERALL.
- 2.2 BOARDLOCK: 100 μ " MIN. TIN PLATED.
80 μ " MIN. NICKEL UNDERPLATED OVERALL.
- 2.3 SHIELD: 80 μ " MIN. NICKEL PLATED.
- 2.4 FRONT SHELL: GOLD FLASH PLATED ENTIRE,
80 μ " MIN. NICKEL UNDERPLATED.
- 2.5 RIVET: 50 μ " MIN. NICKEL PLATED.

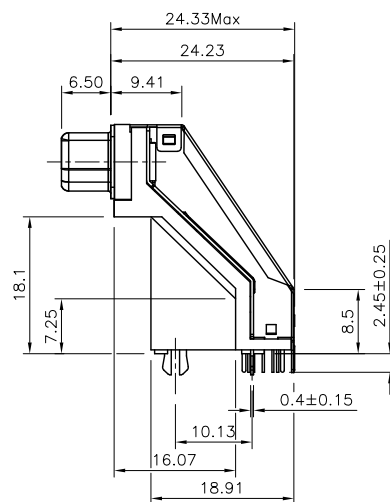
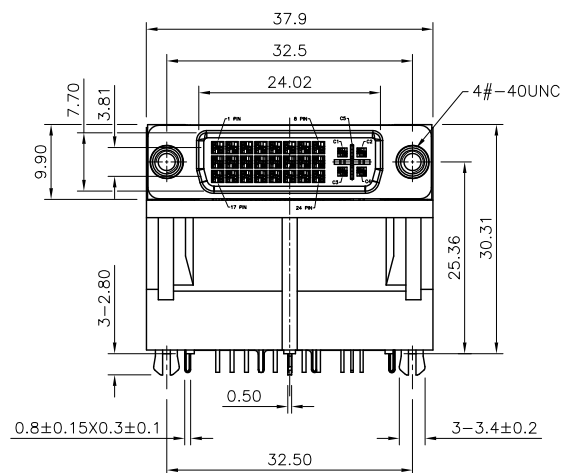
3. SPECIFICATIONS:

- 3.1 CURRENT RATING: 1.5A.
- 3.2 CONTACT RESISTANCE: 30m Ω MAX.
- 3.3 INSULATION RESISTANCE: 1000M Ω MIN.
- 3.4 DIELECTRIC WITHSTANDING VOLTAGE: 500VDC/MINUTE.
- 3.5 OPERATING TEMPERATURE: -55°C TO +85°C.

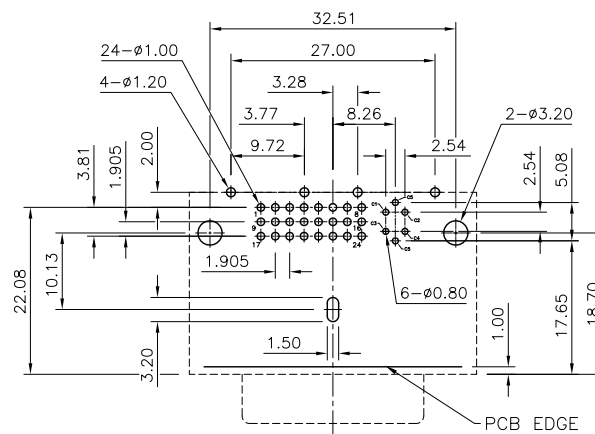
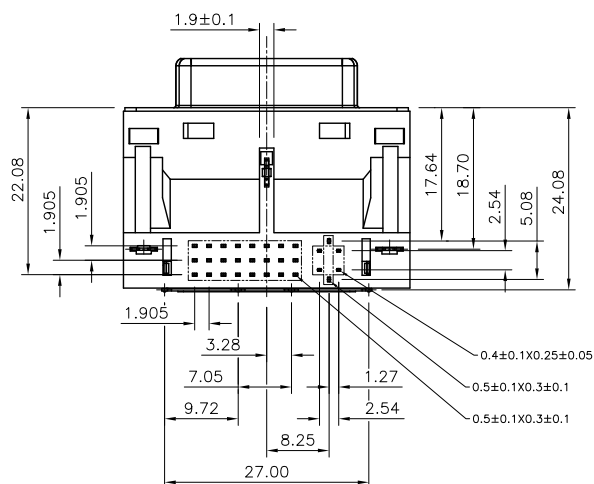
4. OTHERS:

- 4.1 THIS COMPONENT AND ITS HOMOGENEOUS SUB
COMPONENTS ARE RoHS COMPLIANT.

2



3



4

TRAY	G/F	ACNDV210037-001
PACKING	PLATING	CPC P/N

5

REV.	DESCRIPTION	ECN NO.	NAME	DATE
A0	FIRST RELEASED	-	Owen	04-MAY-2015

REVISIONS

DIM.	TOL.
X.	± -
X.X	± 0.30
X.XX	± 0.25
X.XXX	± 0.15
ANGL	± 3'

TITLE: DVI-I 24+5P, HIGH RISE, R/A, DIP, REC TYPE, H=30.31mm, FRONT SHELL G/F PLATED			
DWG. NO.: C = ACNDV210037			
UNIT: mm	DWG SIZE: A4	SCALE: none	SHEET: 1 OF 1

DRAWN: Owen
CHECKED: Vic
APPROVED: Peter

