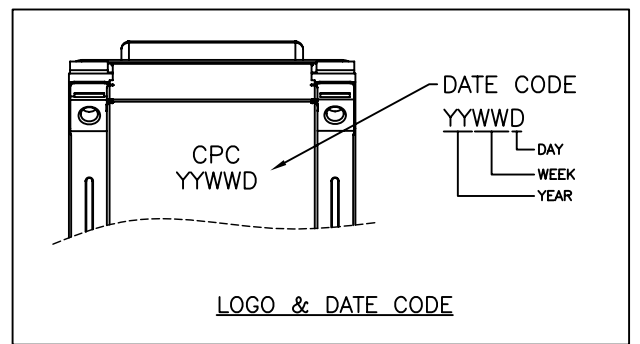
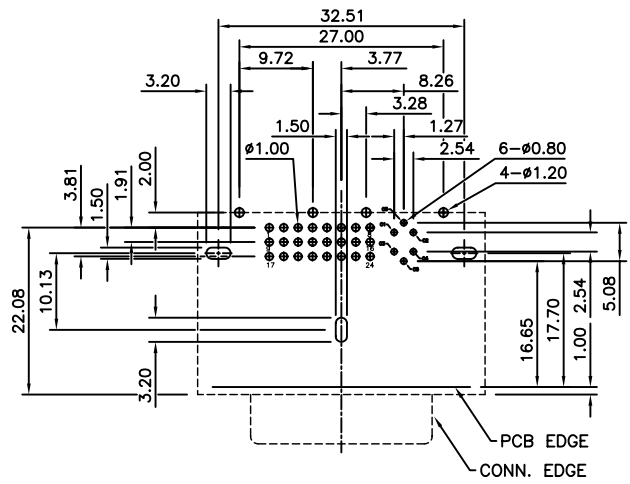
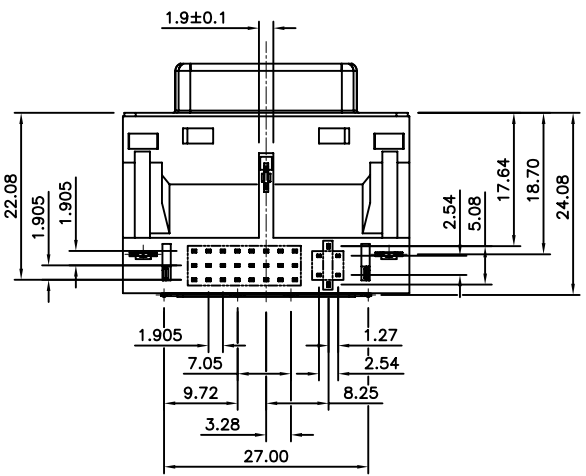


NOTES:

1. MATERIAL:
 - 1.1 INSULATOR: LCP(E130i), UL94V-0; COLOR: BLACK,
 - 1.2 BRACKET: LCP(E130i), UL94V-0; COLOR: BLACK,
 - 1.3 CONTACTS: BRASS(C2680).
 - 1.4 BOARDLOCK: STEEL(SK5).
 - 1.5 SHIELD: STAINLESS STEEL(SUS430).
 - 1.6 SHELL: STEEL(SPCC-SD).
 - 1.7 RIVET: BRASS(C3601).
2. FINISH:
 - 2.1 CONTACTS: GOLD(SEE TABLE) PLATED ON CONTACT AREA, 100μ" MIN. TIN PLATED ON SOLDER AREA, 30μ" MIN. NICKEL UNDERPLATED OVERALL.
 - 2.2 BOARDLOCK: 100μ" MIN. TIN PLATED ENTIRE, 80μ" MIN. NICKEL UNDERPLATED OVERALL.
 - 2.3 SHIELD: 80μ" MIN. NICKEL PLATED ENTIRE.
 - 2.4 SHELL: 80μ" MIN. NICKEL PLATED ENTIRE.
 - 2.5 RIVET: 50μ" MIN. NICKEL PLATED ENTIRE.
3. SPECIFICATIONS:
 - 3.1 CURRENT RATING: 1.5A.
 - 3.2 CONTACT RESISTANCE: 30mΩ MAX.
 - 3.3 INSULATION RESISTANCE: 1000MΩ MIN.
 - 3.4 DIELECTRIC WITHSTANDING VOLTAGE: 500VDC/MINUTE.
 - 3.5 OPERATING TEMPERATURE: -55°C TO +85°C.
4. OTHERS:
 - 4.1 THIS COMPONENT AND ITS HOMOGENEOUS SUB COMPONENTS ARE RoHS COMPLIANT.

1
2

3

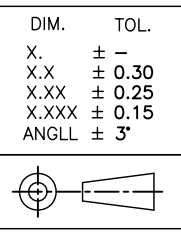


RECOMMENDED P.C.B LAYOUT
COMPONENT SIDE VIEW(TOLERANCE: ±0.05)

TRAY	30μ"	ACNDV210032-006
	15μ"	ACNDV210032-005
	G/F	ACNDV210032-001
PACKING	PLATING	CPC P/N.

5

REV.	DESCRIPTION	ECN NO.	NAME	DATE
A0	FIRST RELEASED	-	Owen	24-Jun-2015



TITLE: DVI-I 24+5P HIGH RISE R/A DIP REC TYPE H=30.31mm			
DWG. NO.: C = ACNDV210032			
UNIT: mm	DWG SIZE: A4	SCALE: none	SHEET: 1 OF 1

DRAWN: Owen
CHECKED: Vic
APPROVED: Peter

RFQ NO.:
Q1503101

REVISIONS