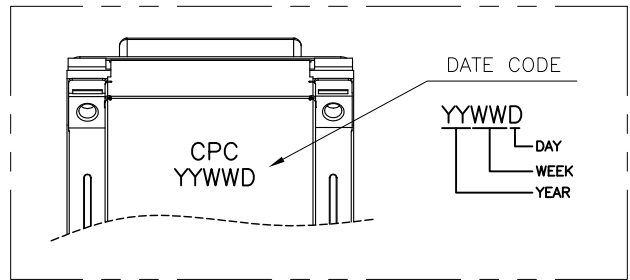
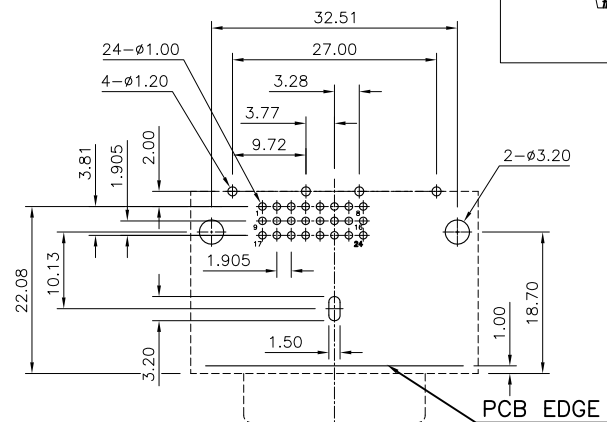
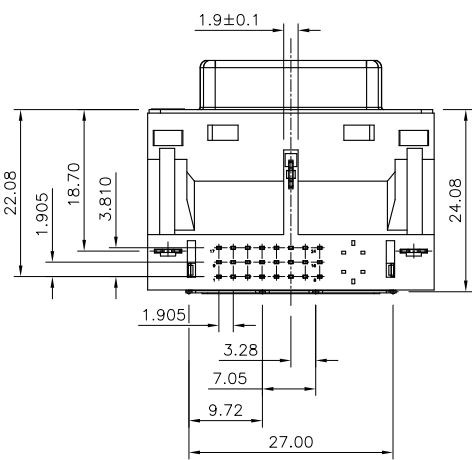
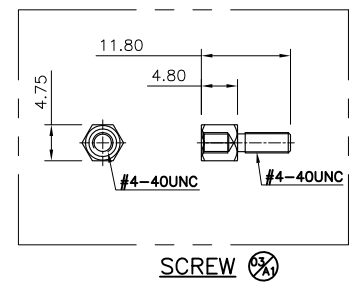
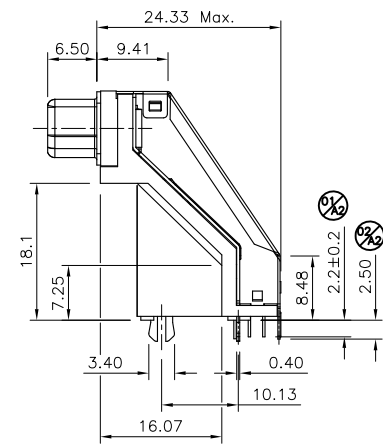
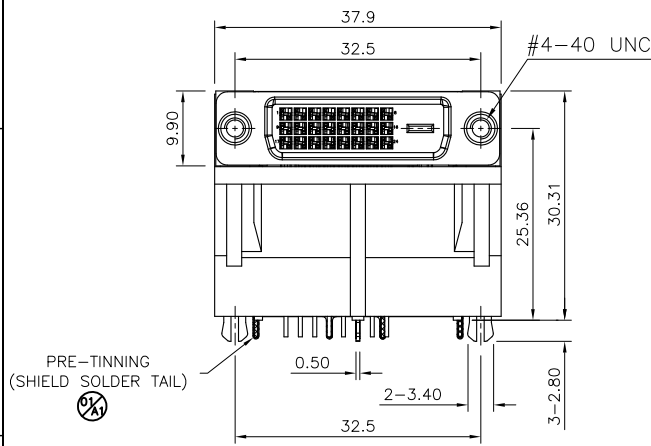


NOTES:

1. MATERIAL:
 - 1.1 INSULATOR: LCP, UL94V-0. COLOR: BLACK,
 - 1.2 BRACKET: LCP, UL94V-0. COLOR: BLACK,
 - 1.3 CONTACTS: BRASS.
 - 1.4 BOARDLOCK: STEEL.
 - 1.5 SHIELD: STAINLESS STEEL
 - 1.6 SHELL: SPCC
 - 1.7 RIVET: BRASS.
2. FINISH:
 - 2.1 CONTACTS: GOLD FLASH PLATED ON CONTACT AREA, 100μ" MIN. TIN PLATED ON SOLDER AREA, 30μ" MIN. NICKEL UNDERPLATED OVERALL.
 - 2.2 BOARDLOCK: 100 μ" MIN. TIN PLATED. 60μ" MIN. NICKEL UNDERPLATED OVERALL.
 - 2.3 SHELL: 80μ" MIN. NICKEL PLATED.
 - 2.4 RIVET: 50μ" MIN. NICKEL PLATED.
3. SPECIFICATIONS:
 - 3.1 CURRENT RATING: 1.5A.
 - 3.2 CONTACT RESISTANCE: 30mΩ MAX.
 - 3.3 INSULATION RESISTANCE: 1000MΩ MIN.
 - 3.4 DIELECTRIC WITHSTANDING VOLTAGE: DC 500V/MINUTE.
 - 3.5 OPERATING TEMPERATURE: -55°C TO +85°C.
4. OTHERS:
 - 4.1 THIS COMPONENT AND ITS HOMOGENEOUS SUB COMPONENTS ARE RoHS & HALOGEN-FREE COMPLIANT.



RECOMMENDED P.C.B LAYOUT(PCB THICKNESS: 1.6mm)
COMPONENT SIDE VIEW(TOLERANCE: ±0.05)

TRAY	G/F	W/	ACNDV210031-101
		W/O	ACNDV210031-001
PACKING	PLATING	SCREW	CPC P/N.

REV.	DESCRIPTION	ECN NO.	NAME	DATE	DIM.	TOL.
A2	MODIFY DIM. (X2)~(X2)	N1710006	Herman	19-Oct-2017	X.	± -
A1	CANCEL SHIELD PLATING & ADD PRE-TINNING ADD SCREW VIEW (X1)~(X1)	N1609005	Rock	22-Nov-2016	X.X	± 0.30
A0	FIRST RELEASED	-	Rock	17-Aug-2015	X.XX	± 0.25
					X.XXX	± 0.15
					ANGL	± 3°

TITLE: DVI-D 24+1P, HIGH RISE, R/A, DIP, REC TYPE, H=30.31mm
 DWG. NO.: C = ACNDV210031
 UNIT: mm DWG SIZE: A4 SCALE: none SHEET: 1 OF 1

DRAWN: Herman
 CHECKED: Vic
 APPROVED: John
 RFQ NO.: Q1502002