

A

B

C

D

E

PRELIMINARY
Subject to Change without notice

1.MATERIAL:

- 1.1 INSULATOR(UPPER): PBT, UL94V-0, COLOR: BLACK.
- 1.2 INSULATOR(DOWN):PBT, UL94V-0, COLOR: IVORY.
- 1.3 COVER: LCP, UL94V-0, COLOR: BLACK.
- 1.4 CONTACT: BRASS.
- 1.5 SHELL: SPCC.
- 1.6 SHIELD: STAINLESS STEEL.
- 1.7 BOARD LOCK: COPPER ALLOY.
- 1.8 BRACKET: ZINC ALLOY.
- 1.9 SCREW: COPPER ALLOY.

2.FINISH:

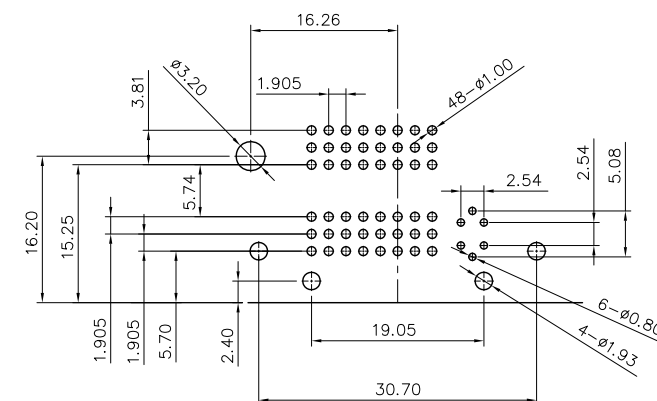
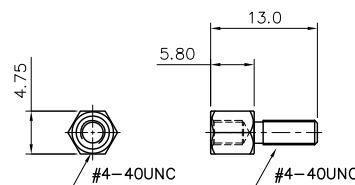
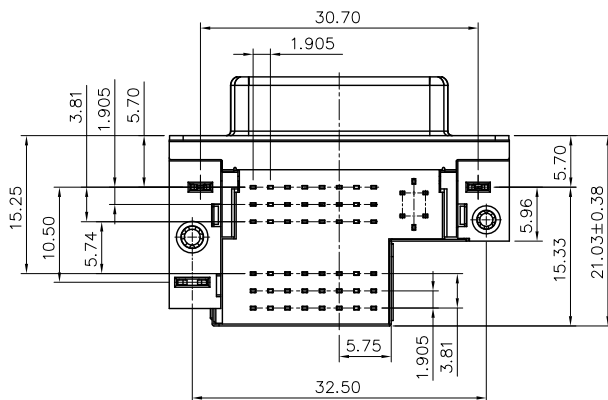
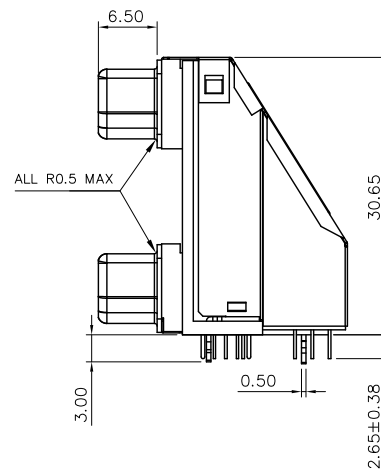
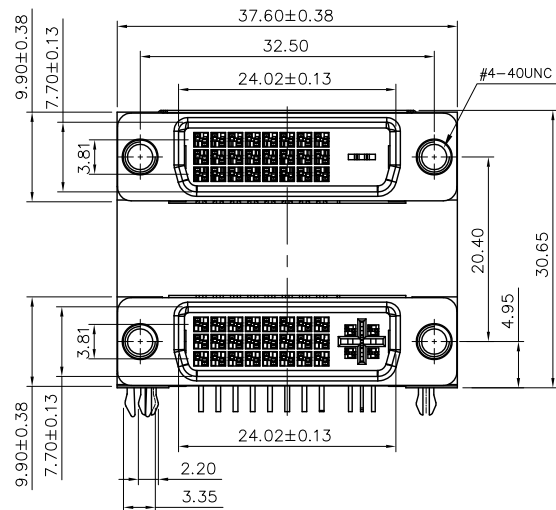
- 2.1 CONTACT: GOLD(SEE TABLE)PLATED ON CONTACT AREA, TIN PLATED ON SOLDER AREA, NICKEL UNDERPLATED OVERALL.
- 2.2 SHELL: NICKEL UNDERPLATED OVERALL.
- 2.3 BOARD LOCK: TIN PLATED IN SOLDER AREA, NICKEL UNDERPLATED OVERALL.
- 2.4 BRACKET: NICKEL PLATED ENTIRE.
- 2.5 SCREW: NICKEL PLATED ENTIRE.

3.ELECTRICAL CHARACTERISTICS

- 3.1 CURRENT RATING: 1.5 A.
- 3.2 CONTACT RESISTANCE: 30mΩ MAX.
- 3.3 INSULATION RESISTANCE: 1000MΩ MIN DC 500V.
- 3.4 DIELECTRIC WITHSTANDING VOLTAGE: AC 500V PER MINUTE.
- 3.5 OPERATING TEMPERATURE: -55°C ~ +85°C.

4.NOTES:

- 4.1 THIS COMPONENT AND ITS HOMOGENEOUS SUBCOMPONENTS ARE RoHS COMPLIANT.
- 4.2 RESISTANCE TO SOLDERING HEAT: 265°C FOR 5 SECONDS, AND ONLY FOR WAVE SOLDERING PROCESS.



RECOMMENDED PCB LAYOUT(PCB THICKNESS: 1.6mm)
COMPONENT SIDE VIEW(TOLERANCE: ±0.05)

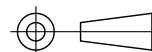
TRAY	30 μ"	W/O	ACNDV210029-106
	15 μ"		ACNDV210029-105
	G/F		ACNDV210029-101
	30 μ"	W/	ACNDV210029-006
	15 μ"		ACNDV210029-005
	G/F		ACNDV210029-001
PACKING	PLATED	SCREWS	PART NO

5

REV.	DESCRIPTION	ECN NO.	NAME	DATE
A0	FIRST RELEASED	-	MILO	08-JAN-2015

REVISIONS

DIM.	TOL.
X.	± -
X.X	± 0.30
X.XX	± 0.25
X.XXX	± 0.15
ANGLE	± 3°



TITLE:
DVI-D 24+1P + DVI-I 24+5P
R/A DIP REC 30.65H

DWG. NO.: **C = ACNDV210029**

UNIT: mm DWG SIZE: A4 SCALE: none SHEET: 1 OF 1

DRAWN:

MILO

CHECKED:

JESSIE

APPROVED:

PETER



RFQ NO.:
Q1501019