

PCB EDGE
RECOMMENDED P.C.B LAYOUT
COMPONENT SIDE VIEW(TOLERANCE: ±0.05)

- NOTES:
- MATERIAL:
 - INSULATOR: LCP,UL94V-0, COLOR: BLUE.
 - CONTACT: PHOSPHOR BRONZE.
 - SHELL: BRASS.
 - FINISH:
 - CONTACT: GOLD FLASH PLATED ON CONTACT AREA, 80μ" MIN. TIN PLATED ON SOLDER AREA, 50μ" MIN. NICKEL UNDERPLATED OVERALL.
 - SHELL: 50μ" MIN. NICKEL UNDERPLATED OVERALL.
 - SPECIFICATIONS:
 - CONTACT CURRENT RATING: 1.5A.
 - CONTACT RESISTANCE: 30mΩ MAX.
 - INSULATION RESISTANCE: 1000MΩ MIN.
 - DIELECTRIC WITHSTANDING VOLTAGE: AC 500V PER MINUTE.
 - OPERATING TEMPERATURE: -40°C ~ +85°C.
 - OTHERS:
 - THIS COMPONENT AND ITS HOMOGENEOUS SUB COMPONENTS ARE RoHS 2.0 + REACH COMPLIANT.
 - RESISTANCE TO SOLDERING HEAT: 260°C FOR 10 SECONDS.
 - SOLDER TAIL COPLANARITY 0.12mm MAX.

REV.	DESCRIPTION	ECN NO.	NAME	DATE
A3	MODIFY VIEW	N1612004	Julia	13-DEC-2016
A2	MODIFY PACKING DRAWING	N1602003	Duke	30-AUG-2016
A1	MODIFY PACKING DRAWING	N1412003	Energy	09-DEC-2014
A0	FIRST RELEASED	-	Energy	20-NOV-2014

REVISIONS

DIM.	TOL.
X.	± -
X.X	± 0.30
X.XX	± 0.25
X.XXX	± 0.15
ANGL	± 3°

TITLE: USB 3.0 A TYPE 9P R/A SMT REC 6.99H			
DWG. NO.: C = ACNUB220019			
UNIT: mm	DWG SIZE: A4	SCALE: none	SHEET: 1 OF 2

REEL	ACNUB220019-001
PACKING	CPC P/N.
DRAWN: Julia	
CHECKED: Kim	
APPROVED: Kim	
RFQ NO.:	Q1405036

A

B

C

D

E

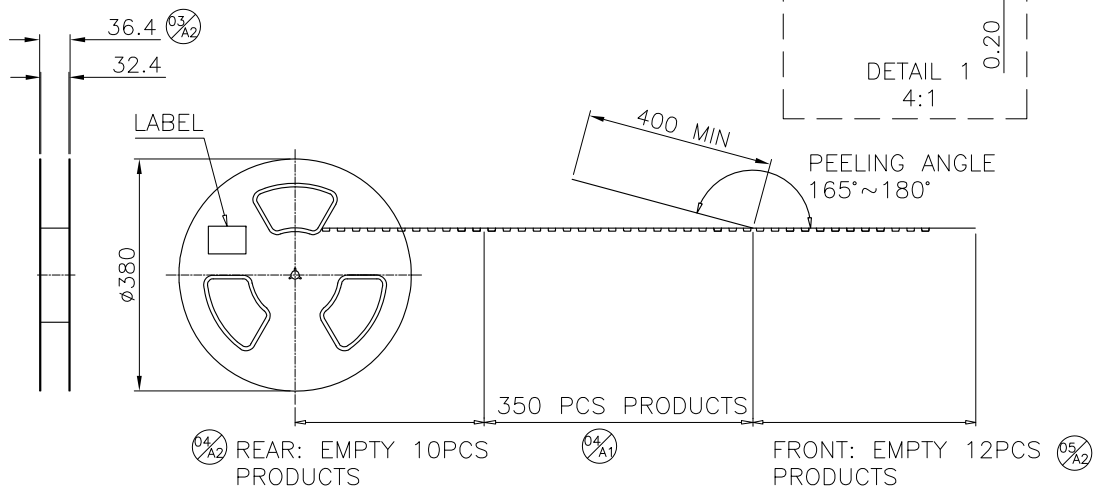
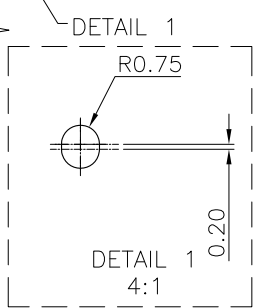
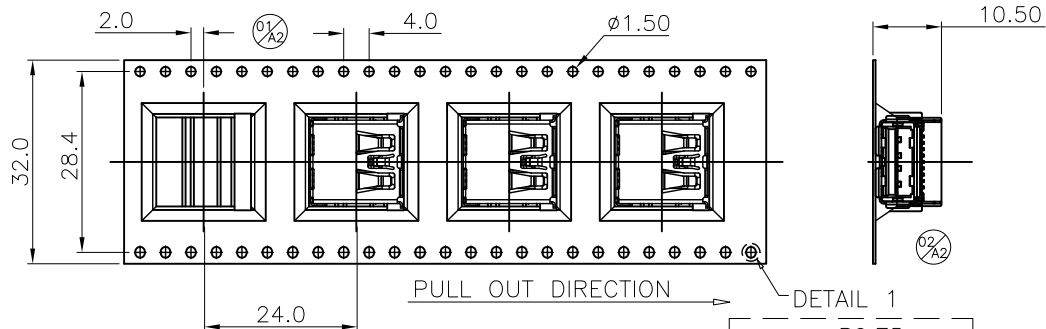
1

2

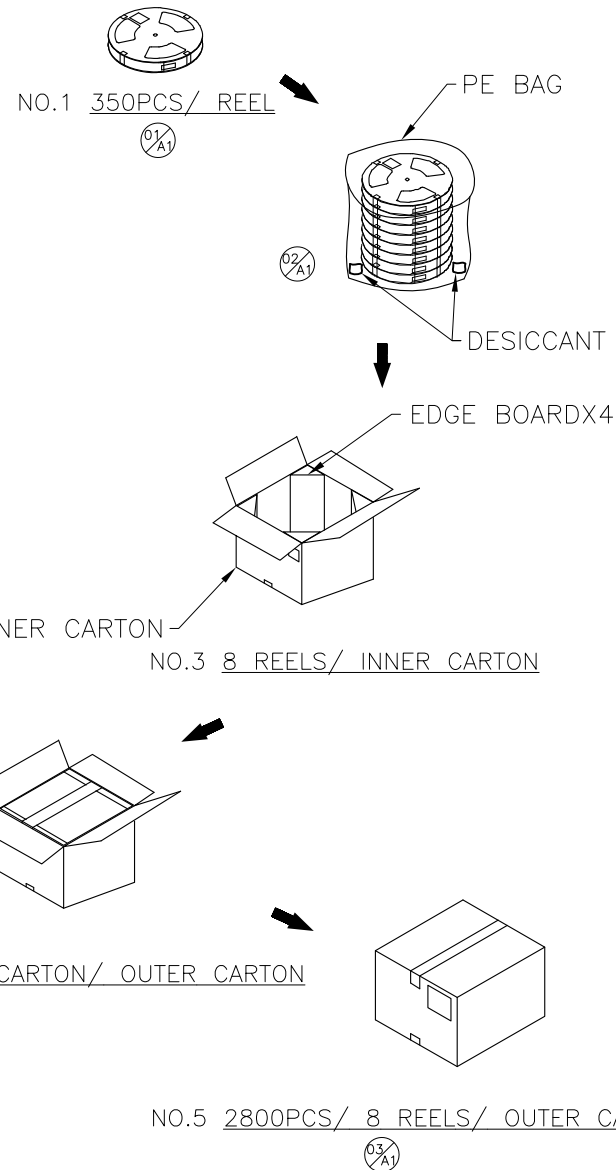
3

4

5



- NOTES:
 1. OUTER CARTON DIMENSION: L400*W400*H400mm.
 2. OUTER CARTON MATERIAL: K=K.



REV.	DESCRIPTION	ECN NO.	NAME	DATE
REVISIONS				

DIM.	TOL.
X.	± -
X.X	± -
X.XX	± -
X.XXX	± -
ANGL	± -

TITLE: USB 3.0 A TYPE 9P R/A SMT REC 6.99H			
DWG. NO.: C=ACNUB220019-K1			
UNIT: mm	DWG SIZE: A4	SCALE: none	SHEET: 2 OF 2

DRAWN: Julia
CHECKED: Kim
APPROVED: Kim

RFQ NO.:
Q1405036