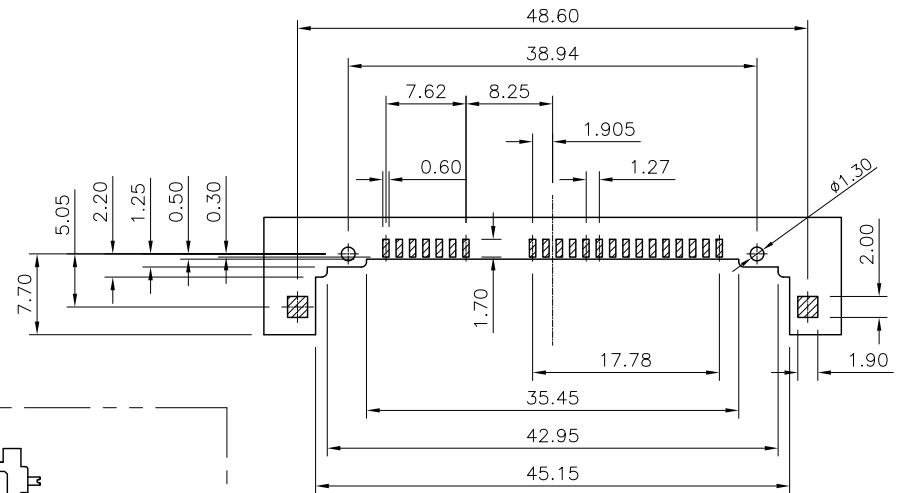
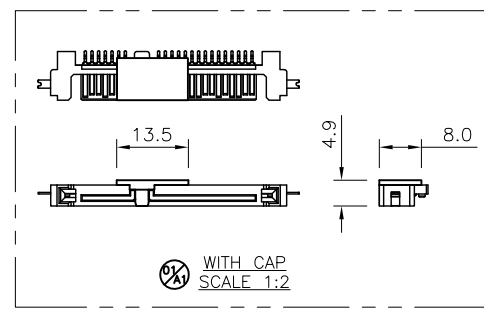
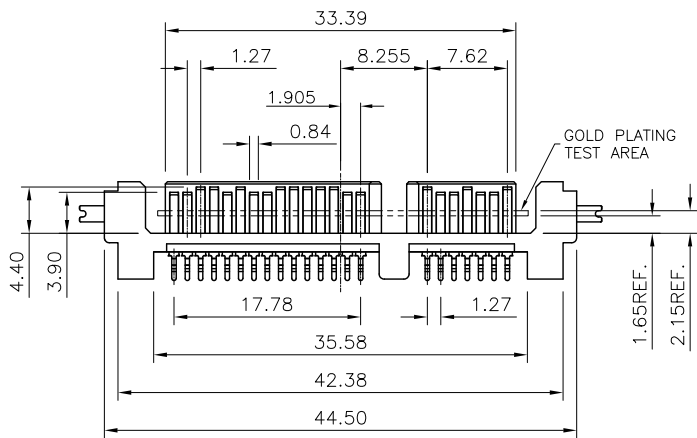
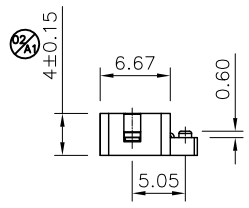
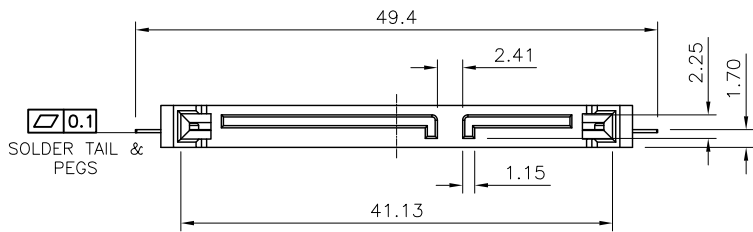
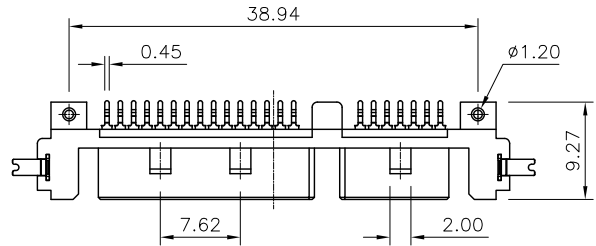




A B C D E



RECOMMENDED P.C.B LAYOUT
COMPONENT SIDE VIEW(TOLERANCE: ±0.05)

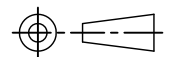
- NOTES:
- MATERIAL:
 - INSULATOR: LCP, UL94V-0, COLOR: BLACK.
 - CONTACTS: BRASS,
 - PEG: BRASS.
 - FINISH:
 - CONTACTS: GOLD(SEE TABLE) PLATED ON CONTACT AREA, TIN PLATED ON SOLDER AREA, NICKEL UNDERPLATED OVERALL.
 - PEG: TIN PLATED ENTIRE, NICKEL UNDERPLATED OVERALL.
 - SPECIFICATIONS:
 - CURRENT RATING: 1.5A
 - CONTACT RESISTANCE: 30mΩ MAX.
 - INSULATION RESISTANCE: 1000MΩ MIN.
 - DIELECTRIC WITHSTANDING VOLTAGE: AC 500V/ MINUTE.
 - OPERATING TEMPERATURE: -40°C TO +105°C
 - OTHERS:
 - THIS COMPONENT AND ITS HOMOGENEOUS SUB COMPONENTS ARE RoHS COMPLIANT.

REEL	30μ"	ACNSE120004-003
	15μ"	ACNSE120004-002
	G/F	ACNSE120004-001
PACKING	PLATING	CPC P/N.

REV.	DESCRIPTION	ECN NO.	NAME	DATE
A1	REVISED TOLERANCE & ADD CAP VIEW	N1808008	Vivi	15-Nov-2018
A0	FIRST RELEASED	-	Julia	18-APR-2018

REVISIONS

DIM.	TOL.
X.	± -
X.X	± 0.38
X.XX	± 0.25
X.XXX	± 0.15
ANGL	± 3°



TITLE: SATA 7+15P SINK TYPE MALE SMT TYPE H1.70mm			
DWG. NO.: C = ACNSE120004			
UNIT: mm	DWG SIZE: A4	SCALE: none	SHEET: 1 OF 1

DRAWN: Vivi
CHECKED: Kim
APPROVED: John

