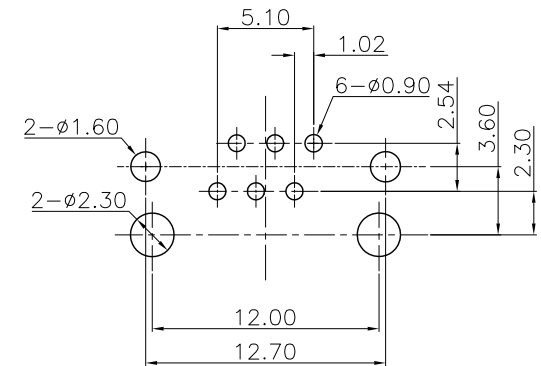


NOTES:

1. MATERIAL:
  - 1.1 INSULATOR: PBT UL94V-0, COLOR: BLACK.
  - 1.2 CONTACTS: PHOSPHOR BRONZE.
  - 1.3 SHIELD: BRASS.
2. FINISHES:
  - 2.1 CONTACTS: GOLD FLASH PLATED ENTIRE, 30µt" MIN. NICKEL UNDERPLATED OVERALL.
  - 2.2 SHIELD: 30µt" MIN. NICKEL PLATED ENTIRE.
3. SPECIFICATIONS:
  - 3.1 CURRENT RATING: 1.5A.
  - 3.2 CONTACT RESISTANCE: 30mΩ MAX.
  - 3.3 INSULATION RESISTANCE: 500MΩ MIN.
  - 3.4 DIELECTRIC WITHSTANDING VOLTAGE: 1000VAC/MINUTE.
  - 3.5 OPERATING TEMPERATURE: -40°C TO +85°C.
4. OTHERS:
  - 4.1 THIS COMPONENT AND ITS HOMOGENEOUS SUB COMPONENTS ARE RoHS COMPLIANT.
  - 4.2 RESISTANCE TO SOLDERING HEAT 260°C FOR 5 SECONDS AND ONLY FOR WAVE SOLDERING PROCESS. (NOT INCLUDING THE PLASTIC POST)



RECOMMENDED P.C.B LAYOUT  
COMPONENT SIDE VIEW(TOLERANCE: ±0.05)

TRAY	ACNRJTA0014-001
PACKING	CPC P/N

REV.	DESCRIPTION	ECN NO.	NAME	DATE
A0	FIRST RELEASED	-	ENERGY	01-JUN-2015

DIM.	TOL.
X.	± -
X.X	± 0.30
X.XX	± 0.25
X.XXX	± 0.15
ANGL	± 3°

TITLE: RJ11 6P6C R/A SMT REC TYPE H14.80mm, TAB-UP W/ SHELL, W/O LED,			
DWG. NO.: <b>Ⓒ = ACNRJTA0014</b>			
UNIT:	DWG SIZE:	SCALE:	SHEET:
mm	A4	none	1 OF 2

DRAWN:	ENERGY
CHECKED:	PENNY
APPROVED:	PETER



REVISIONS

A

B

C

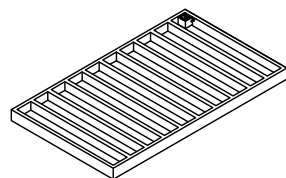
D

E

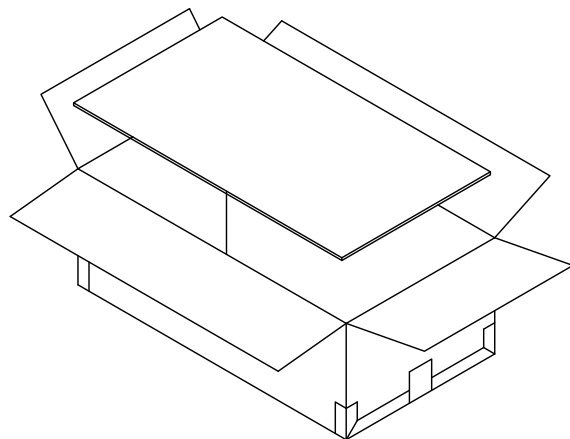
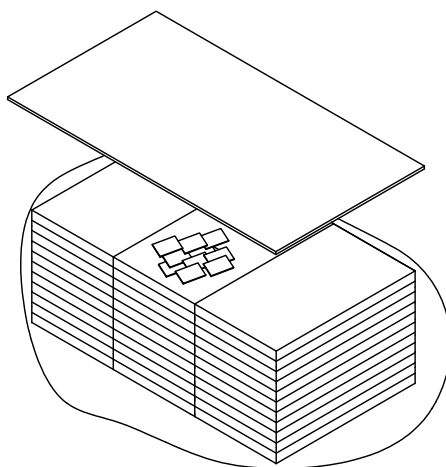
PACKING DRAWING:



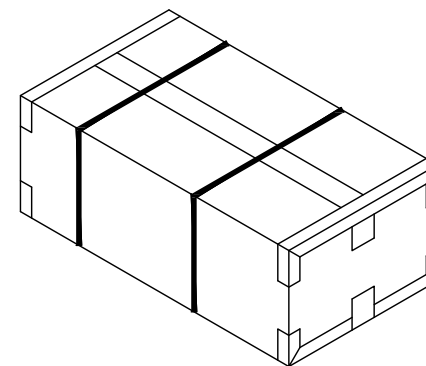
NOTES:  
 1. CARTON DIMENSION: L560\*W310\*H210



NO.1 110 PCS/TRAY



NO.2 33 TRAY/CARTON



NO.3 3630 PCS/CARTON

TRAY	ACNRJTA0014-001
PACKING	CPC P/N

5

REV.	DESCRIPTION	ECN NO.	NAME	DATE
A0	FIRST RELEASED	-	ENERGY	DD-MAY-2015

REVISIONS

DIM.	TOL.
X.	± -
X.X	± -
X.XX	± -
X.XXX	± -
ANGL	± °

TITLE: RJ11 6P6C R/A SMT REC TYPE H14.80mm, TAB-UP W/ SHELL, W/O LED,			
DWG. NO.: <b>C- ACNRJTA0014-K1</b>			
UNIT: mm	DWG SIZE: A4	SCALE: none	SHEET: 2 OF 2

DRAWN: ENERGY
CHECKED: PENNY
APPROVED: PETER

