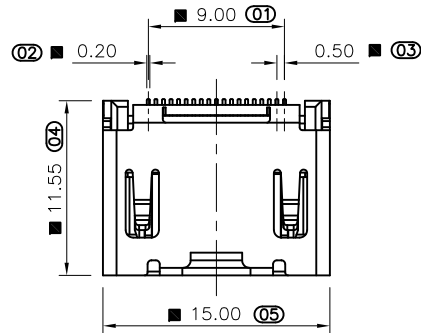
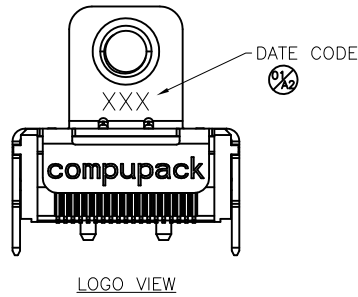


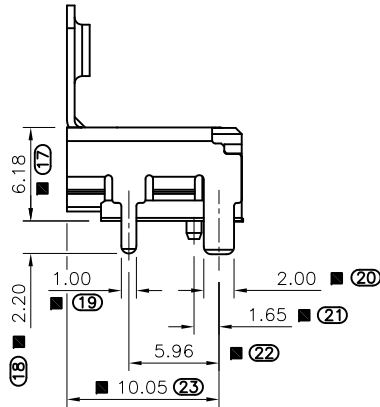
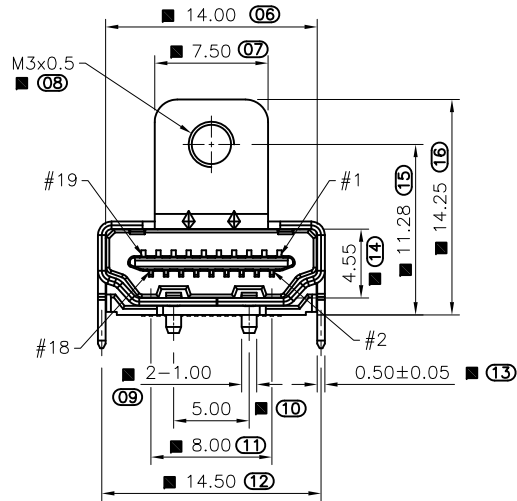
C圖版次: A2



0.1



LOGO VIEW



NOTES:

1. MATERIAL:

- 1.1 INSULATOR: LCP (E130i) WITH 30%GF, COLOR: BLACK.
- 1.2 CONTACTS: BRASS (C2680) T=0.20mm,
- 1.3 SHELL: SPCC (SPCC-SB) T=0.50mm.

2. FINISH:

- 2.1 CONTACTS: GOLD PLATED(SEE TABLE) ON CONTACT AREA, 100μ" MIN. TIN PLATED ON SOLDER AREA, 50μ" MIN. NICKEL UNDERPLATED OVERALL.
- 2.2 SHELL: 80μ" MIN. NICKEL PLATED ENTIRE 100μ" MIN. Cu UNDERPLATED.

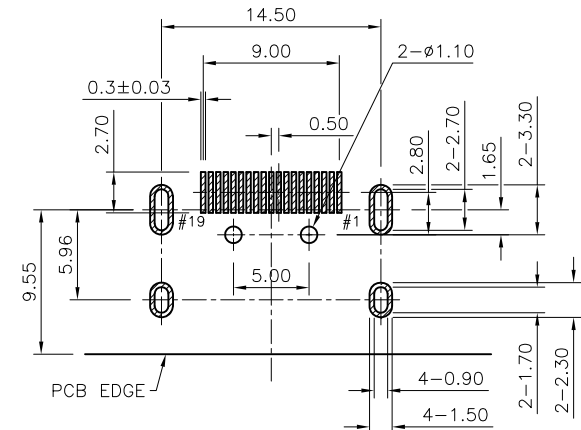
3. SPECIFICATIONS:

- 3.1 CURRENT RATING: 0.5A.
- 3.2 CONTACT RESISTANCE: ΔR=10mΩ MAX.
- 3.3 INSULATION RESISTANCE: 100MΩ MIN.
- 3.4 DIELECTRIC WITHSTANDING VOLTAGE: 500VAC/MINUTE.
- 3.5 OPERATING TEMPERATURE: -40°C TO +105°C.

4. OTHERS:

- 4.1 THIS COMPONENT AND ITS HOMOGENEOUS SUB COMPONENTS ARE RoHS COMPLIANT.
- 4.2 RESISTANCE TO SOLDERING HEAT 265°C FOR 10 SECONDS. (NOT INCLUDING THE PLASTIC POST)
- 4.3 "■" MARKED AS QC INSPECTION ON SIZE.
- 4.4 "⊗" MARKED AS FAI INSPECTION ON SIZE.
- 4.5 SALT SPRAY TEST: 48 HOURS.

0.2 4.6 SOLDER TAIL COPLANARITY 0.10mm MAX.

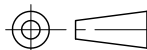


RECOMMENDED PCB LAYOUT  
COMPONENT SIDE  
TOLERANCE: ±0.05

REV.	DESCRIPTION	ECN NO.	NAME	DATE
A2	MODIFY DATE CODE VIEW 0.1~0.2	N1711007	Mark	30-NOV-2017
A1	ADD DATE CODE 0.1~0.1	N1503005	Owen	20-Apr-2015
A0	FIRST RELEASED	-	Owen	12-Feb-2015

REVISIONS

DIM.	TOL.
X.	± -
X.X	± 0.30
X.XX	± 0.25
X.XXX	± 0.05
ANGL	± 3°



TITLE: HDMI A TYPE, 19P, R/A, SMT, REC, H=14.25mm, WITH SCREW FLANGE

DWG. NO.: A = ACNHM220015

UNIT: mm	DWG SIZE: A4	SCALE: none	SHEET: 1 OF 2	LAYER: CA003
----------	--------------	-------------	---------------	--------------

DRAWN: Mark
CHECKED: Vic
APPROVED: John

RFQ NO.: Q1409094

C圖版次: A2

1

2

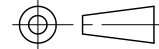
3

4

5

AVAILABLE	TRAY	5μ"	HM06B-5-C0-T	ACNHM220015-003
-		G/F	HM06B-1-C0-T	ACNHM220015-001
NOTE	PACKING	PLATING	SUPPLIER'S P/N.	CPC P/N.

REV.	DESCRIPTION	ECN NO.	NAME	DATE	DIM.	TOL.
					X.	± ---
					X.X	± ---
					X.XX	± ---
					X.XXX	± ---
					ANGL	± ---
<b>REVISIONS</b>						



TITLE: HDMI A TYPE, 19P, R/A, SMT, REC, H=14.25mm, WITH SCREW FLANGE				
DWG. NO.: <b>A = ACNHM220015</b>				
UNIT:	DWG SIZE:	SCALE:	SHEET:	LAYER:
mm	A4	none	2 OF 2	CA003

DRAWN: Mark	
CHECKED: Vic	
APPROVED: John	
RFQ NO.: Q1409094	