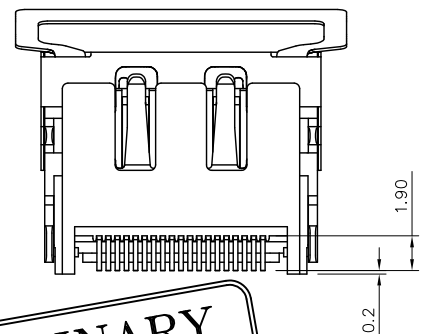
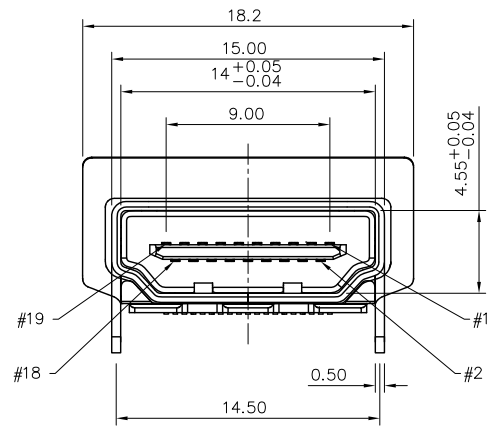
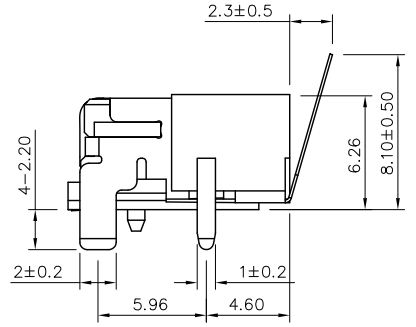
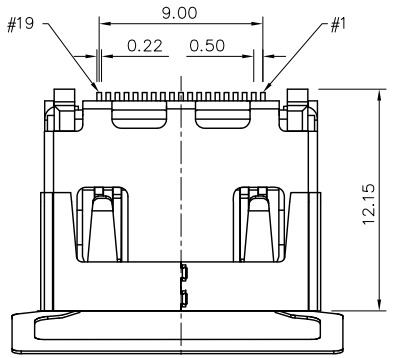


1

2

3

4

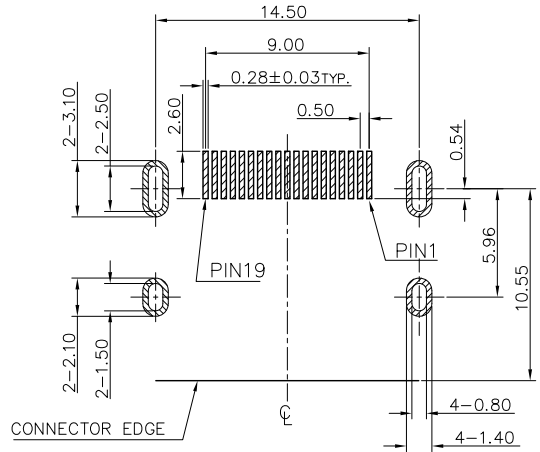


1.MATERIAL:
 1.1 INSULATOR: LCP, W/ 30%GF, UL94V-0; COLOR: BLACK.
 1.2 CONTACT: BRASS
 1.3 SHELL: BRASS

2.FINISH:
 2.1 CONTACT: GOLD FLASH ON CONTACT AREA
 100μ"MIN. TIN PLATED ON SOLDER AREA
 50μ"MIN. NICKEL UNDERPLATED OVERALL.
 2.2 SHELL: 50μ"MIN. NICKEL PLATED OVERALL.

3.SPECIFICATION:
 3.1 VOLTAGE RATING: 40V.
 3.2 CURRENT RATING: 0.5A.
 3.3 CONTACT RESISTANCE: 20mΩ MAX.
 3.4 INSULATION RESISTANCE: 100MΩ MIN.
 3.5 DIELECTRIC WITHSTANDING VOLTAGE: AC 500V MAX.
 3.6 OPERATING TEMPERATURE: -25°C ~ +85°C.

4.NOTES:
 4.1 THIS COMPONENT AND ITS HOMOGENEOUS SUBCOMPONENTS ARE RoHS COMPLIANT.
 4.2 RESISTANCE TO SOLDERING HEAT: 265°C FOR 10 SECONDS
 4.3 SOLDER TAIL COPLANARITY 0.12mm MAX.



RECOMMENDED PCB LAYOUT
 COMPONENT SIDE VIEW(TOLERANCE: ±0.05)

PRELIMINARY
 Subject to Change without notice

A0	FIRST RELEASE		Owen	19-MAY-2015
REV.	DESCRIPTION	ECN NO.	NAME	DATE

DIM.	TOL.
X.	± 0.50
X.X	± 0.30
X.XX	± 0.25
X.XXX	± 0.15
ANGL	± 3°

TITLE:
 HDMI A TYPE 19P R/A SMT REC
 8.10H WITH SPRING
 DWG. NO.:
 ACNHM220003

DRAWN:
 OWEN
 CHECKED:
 VIC
 APPROVED:
 Peter

REEL	ACNHM220003-001
PACKING	CPC P/N



RFQ NO.:
 Q1311073&Q1503001

REVISIONS

