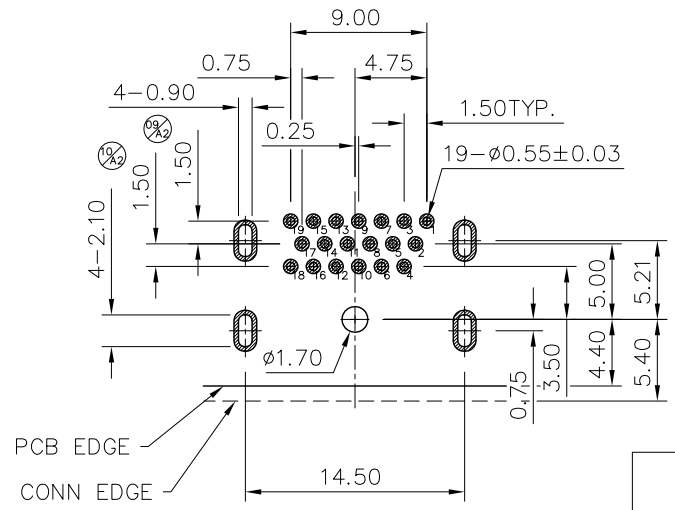
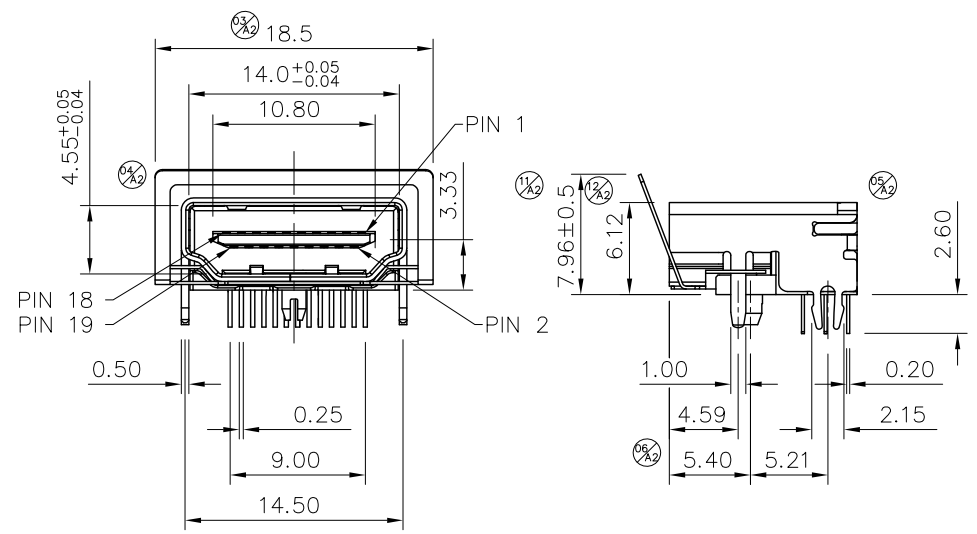
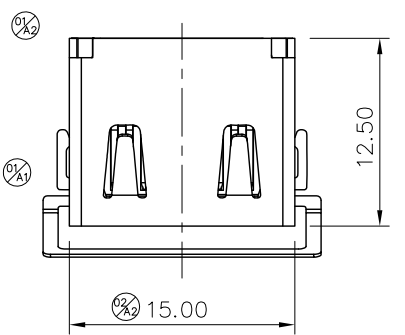


NOTES:
 1. MATERIAL:
 1.1 INSULATOR: LCP, 30% GF. UL94V-0, COLOR: BLACK.
 1.2 CONTACTS: BRASS,
 1.3 SHELL: BRASS,
 1.4 SPRING: STAINLESS STEEL.
 2. FINISH:
 2.1 CONTACTS: GOLD(SEE TABLE) PLATED ON CONTACT AREA, 100μ" MIN. TIN PLATED ON SOLDER AREA, 50μ" MIN. NICKEL UNDERPLATED OVERALL.
 2.2 SHELL: 50μ" MIN. NICKEL PLATED ENTIRE.
 3. SPECIFICATIONS:
 3.1 CURRENT RATING: 0.5A
 3.2 CONTACT RESISTANCE: 30mΩ MAX.
 3.3 INSULATION RESISTANCE: 100MΩ MN(unmated).
 3.4 DIELECTRIC WITHSTANDING VOLTAGE: AC500V/MINUTE.
 3.5 OPERATING TEMPERATURE: -25°C TO +85°C.
 4. OTHERS:
 4.1 THIS COMPONENT AND ITS HOMOGENEOUS SUB COMPONENTS ARE ROHS & HALOGEN FREE COMPLIANT.
 4.2 RESISTANCE TO SOLDERING HEAT 265°C FOR 5 SECONDS. (NOT INCLUDING THE PLASTIC POST)

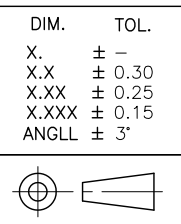


RECOMMENDED PCB LAYOUT
 COMPONENT SIDE
 TOLERANCE: ±0.05mm

TRAY	30μ"	ACNHM210100-005
	15μ"	ACNHM210100-004
	5μ"	ACNHM210100-003
	3μ"	ACNHM210100-002
	G/F	ACNHM210100-001
PACKING	PLATING	CPC P/N

REV.	DESCRIPTION	ECN NO.	NAME	DATE
A2	MODIFY VIEW AND DIM.	N1804002	Jake	16-MAY-2018
A1	MODIFY VIEW	N1601007	Rock	19-Jan-2016
A0	FIRST RELEASED	-	VIC	27-Nov-2015

REVISIONS



TITLE: HDMI A TYPE, 19P, R/A, DIP, REC, H=6.28mm			
DWG. NO.: C = ACNHM210100			
UNIT: mm	DWG SIZE: A4	SCALE: none	SHEET: 1 OF 1

DRAWN: Jake
CHECKED: Kim
APPROVED: John

RFQ NO.:
Q1309015&Q1506057