

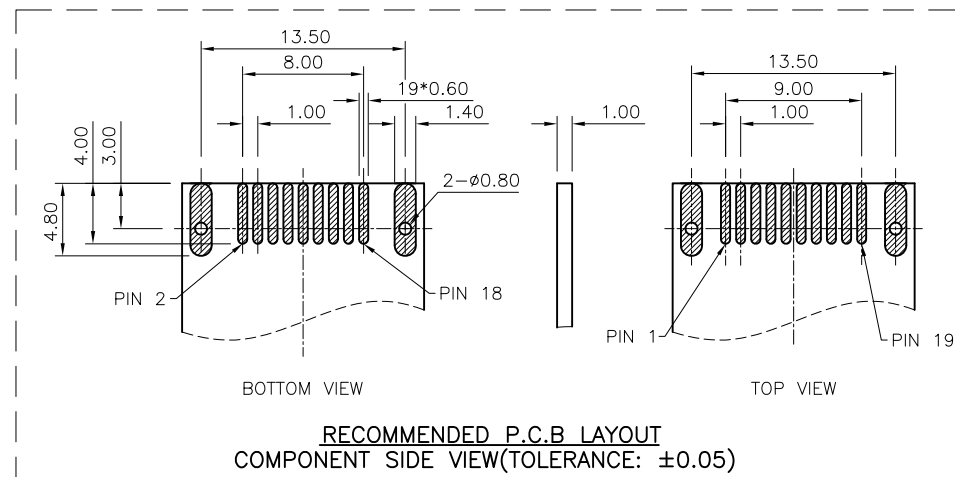
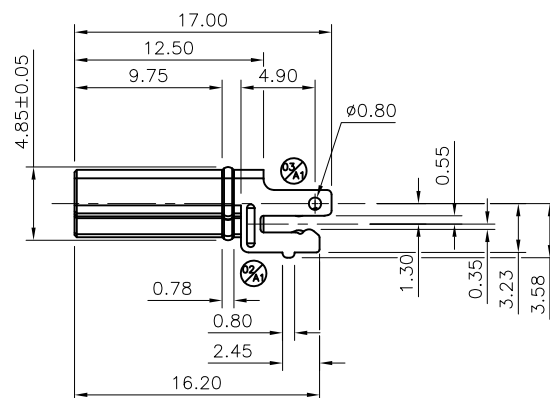
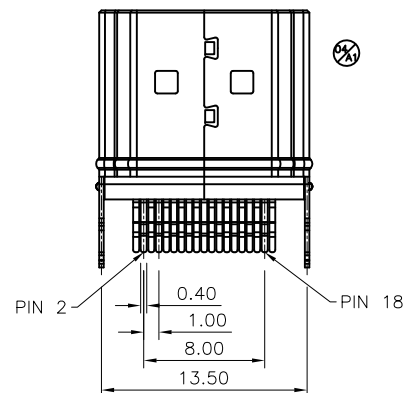
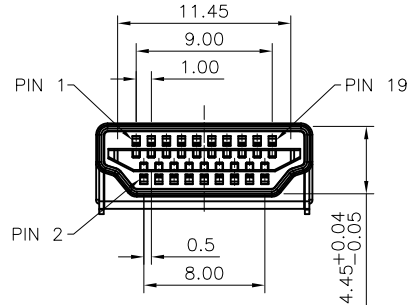
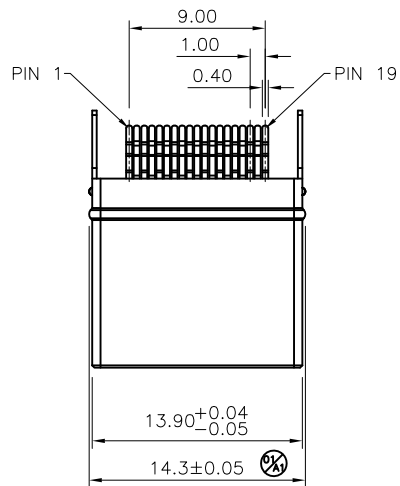
A

B

C

D

E



## NOTES:

## 1. MATERIAL:

- 1.1 INSULATOR: LCP(E130i)+30%G.F, UL94V-0, COLOR: BLACK.  
1.2 CONTACTS: PHOSPHOR BRONZE(C5191), T=0.25.  
1.3 SHIELD: BRASS(C2680), T=0.3.

## 2. FINISH:

- 2.1 CONTACTS: GOLD(SEE TABLE) PLATED ON CONTACT AREA, 100μ" MIN. TIN PLATED ON SOLDER AREA, 50μ" MIN. NICKEL UNDERPLATED OVERALL.  
2.2 SHIELD: 50μ" MIN. NICKEL PLATED ENTIRE.

## 3. SPECIFICATIONS:

- 3.1 CONTACT RESISTANCE: 30mΩ MAX.  
3.2 INSULATION RESISTANCE: 100MΩ MIN.  
3.3 DIELECTRIC WITHSTANDING VOLTAGE: 500VAC/MINUTE.  
3.4 OPERATING TEMPERATURE: -40°C TO +85°C.

## 4. OTHERS:

- 4.1 THIS COMPONENT AND ITS HOMOGENEOUS SUB COMPONENTS ARE RoHS COMPLIANT.

TRAY	5μ"	ACNHM170003-003
	G/F	ACNHM170003-001
PACKING	PLATING	CPC P/N.

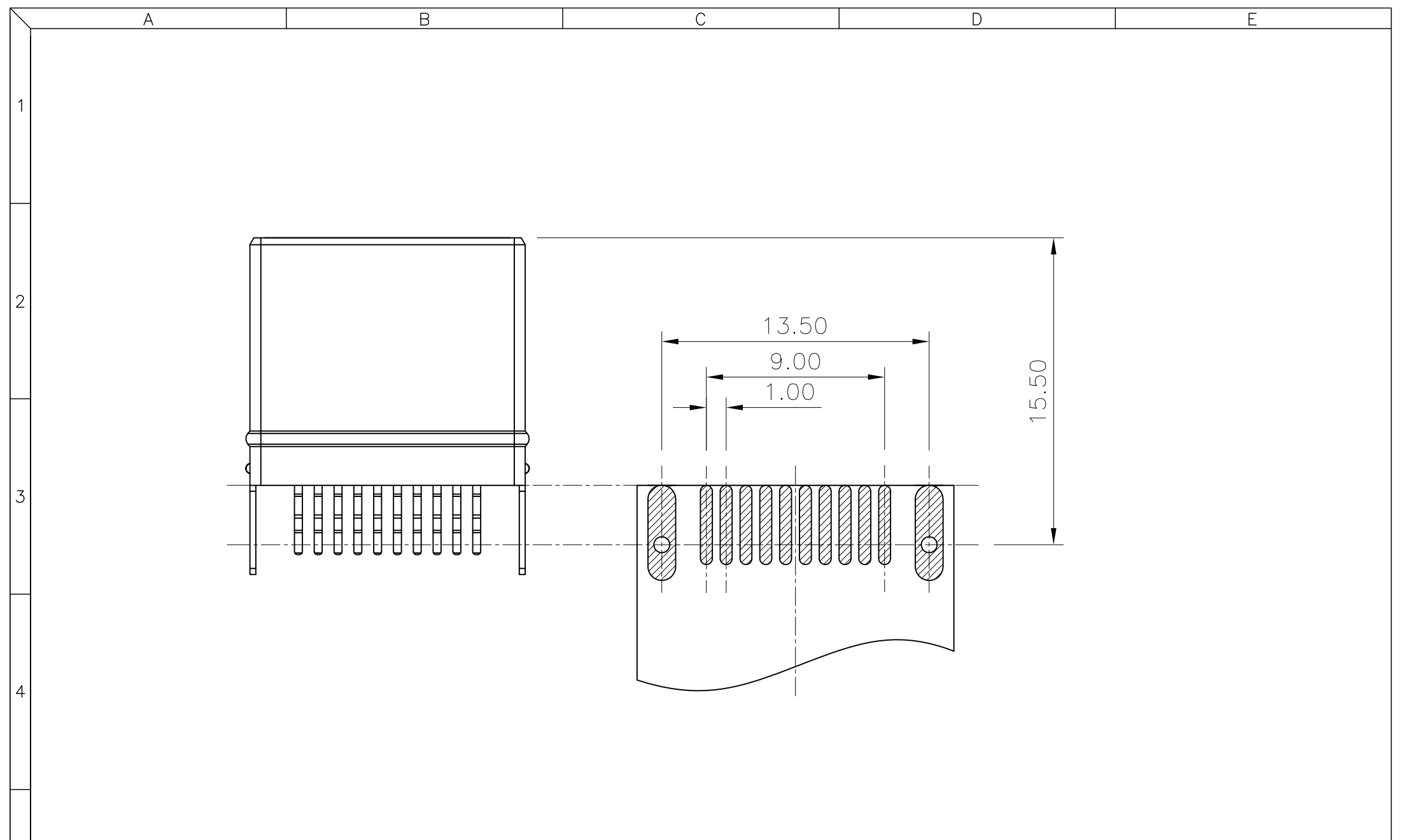
REV.	DESCRIPTION	ECN NO.	NAME	DATE
A1	MODIFY DIMENSION & MODIFY VIEW	N1512003	Rock	11-DEC-2015
A0	FIRST RELEASED	-	Julia	29-Jul-2015

## REVISIONS

DIM.	TOL.
X.	± -
X.X	± 0.30
X.XX	± 0.25
X.XXX	± 0.15
ANGL	± 3°

TITLE: HDMI A TYPE PLUG 19P VERTICAL SOLDER TYPE L=17.00mm			
DWG. NO.: C = ACNHM170003			
UNIT: mm	DWG SIZE: A4	SCALE: none	SHEET: 1 OF 2

DRAWN: Rock	
CHECKED: Vic	
APPROVED: Kim	
RFQ NO.:	Q1505108



REV.	DESCRIPTION	ECN NO.	NAME	DATE

DIM.	TOL.
X.	± ---
X.X	± ---
X.XX	± ---
X.XXX	± ---
ANGL	± ---

TITLE: HDMI A TYPE PLUG 19P  
VERTICAL SOLDER TYPE L=17.00mm

DWG. NO.: **C = ACNHM170003**

UNIT: mm	DWG SIZE: A4	SCALE: none	SHEET: 2 OF 2
----------	--------------	-------------	---------------

DRAWN: Rock

CHECKED: Vic

APPROVED: Kim



RFQ NO.: Q1505108