

A

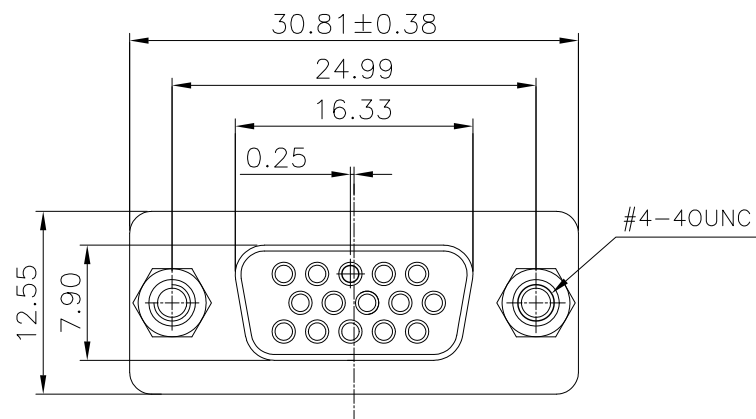
B

C

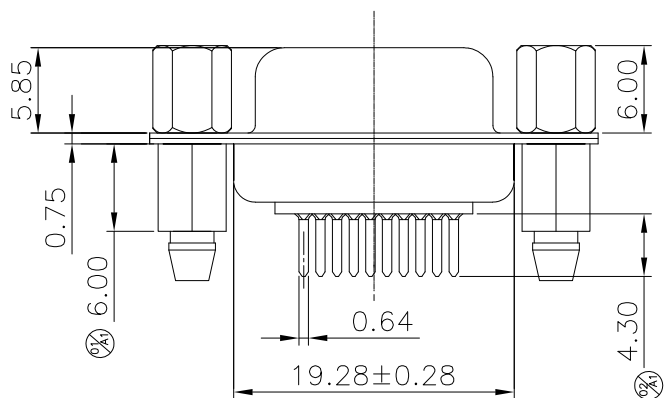
D

E

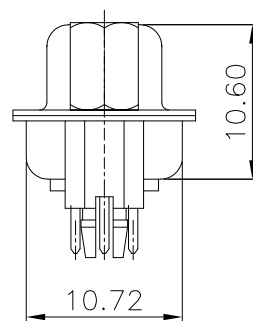
1



2

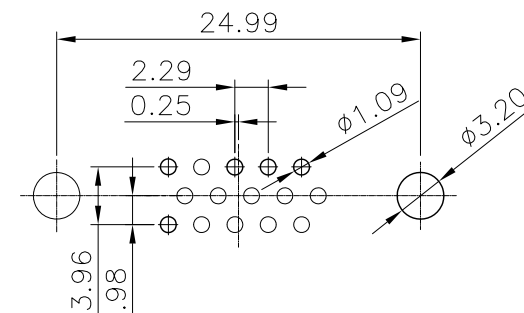


3



4

- 1.MATERIAL:
- 1.1 INSULATOR: PBT+30%G.F, UL94V-0;  
INSULATOR COLOR: BLACK.
  - 1.2 CONTACT: BRASS.
  - 1.3 FRONT SHELL: STEEL.
  - 1.4 BACK SHELL: STEEL.
  - 1.5 PILLARS: BRASS.
  - 1.6 SCREW: BRASS.
- 2.FINISH:
- 2.1 CONTACT: GOLD FLASH PLATED IN CONTACT AREA  
100u" MIN. TIN PLATED IN SOLDER AREA  
50u" MIN. NICKEL UNDERPLATED OVERALL.
  - 2.2 FRONT SHELL: 30u" NICKEL PLATED OVER  
30u" MIN. Cu UNDERPLATED OVERALL.
  - 2.3 BACK SHELL: 80u" TIN PLATED OVER  
30u" MIN. Cu UNDERPLATED OVERALL.
  - 2.4 PILLARS: 80u" TIN PLATED OVER  
30u" MIN. NICKEL UNDERPLATED OVERALL.
  - 2.5 SCREW: 30u" NICKEL PLATED OVERALL.
- 3.ELECTRICAL CHARACTERISTICS
- 3.1 VOLTAGE RATING: DC 300V.
  - 3.2 CURRENT RATING: 5.0 A.
  - 3.3 CONTACT RESISTANCE: 20mΩ MAX.
  - 3.4 INSULATION RESISTANCE: 1000MΩ MIN. (M)
  - 3.5 DIELECTRIC WITHSTANDING VOLTAGE: AC 1000V PER MINUTE.
  - 3.6 OPERATING TEMPERATURE: -55°C ~ +85°C.
- 4.NOTES:
- 4.1 THIS COMPONENT AND ITS HOMOGENEOUS SUBCOMPONENTS ARE RoHS2.0+REACH COMPLIANT.
  - 4.2 RESISTANCE TO SOLDERING HEAT: 245°C FOR 5 SECONDS, AND ONLY FOR WAVE SOLDERING PROCESS.



RECOMMENDED P.C.B LAYOUT(PCB THICKNESS: 1.6mm)  
COMPONENT SIDE VIEW(TOLERANCE: ±0.05)

DB411HZAB1S1-15A-C2 ACNDB210036-001

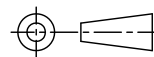
CPC OLD P/N. CPC NEW P/N.

5

REV.	DESCRIPTION	ECN NO.	NAME	DATE
A1	REVISE DIM (M) (M)	N1811002	VIVI	NOV.28.2018
A0	NEW RELEASE		Duke	OCT.15.2015

REVISIONS

DIM.	TOL.
X	
X.X	±0.30
X.XX	±0.25
X.XXX	±0.15
GENERAL ANGLE: ±3'	



TITLE:  
D-SUB FEMALE 15PINS W/ SCREW DIP VERTICAL TYPE

DWG. NO.: C-DB411HZAB1S1-15A-C2  
DRAWN: Vivi

PART NO.: DB411HZAB1S1-15A-C2  
CHECKED: Kim

UNIT: mm  
SCALE: none  
SHEET: 1 OF 1  
DWG. SIZE: A4  
LAYER: CPC  
APPROVED: John



RFQ NO.: Q1307031

ARTICLE: CPC-CN-002-C