

A

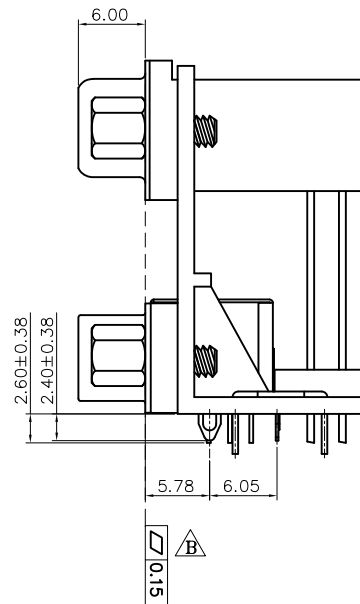
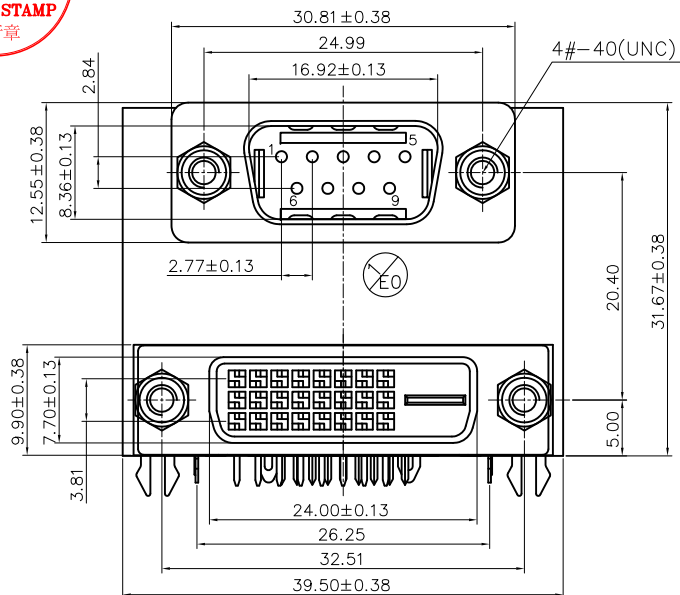
B

C

D

E

1



1. MATERIAL:
- 1.1 D-SUB INSULATOR: PBT, UL 94V-0; COLOR: GREEN(322C~323C).
 - 1.2 DVI INSULATOR NYLON 6T, UL 94V-0; COLOR: WHITE.
 - 1.3 BOTTOM COVER: NYLON 6T, UL 94V-0; COLOR: WHITE.
 - 1.4 CONTACT: BRASS.
 - 1.5 SHELL: SPCC.
 - 1.6 BRACKET: ZINC ALLOY.
 - 1.7 DVI EMI SHIELD: SPCC, T: 0.2mm.
 - 1.8 BOARD LOCK: BRASS.
 - 1.9 SCREWLOCK: BRASS.

2

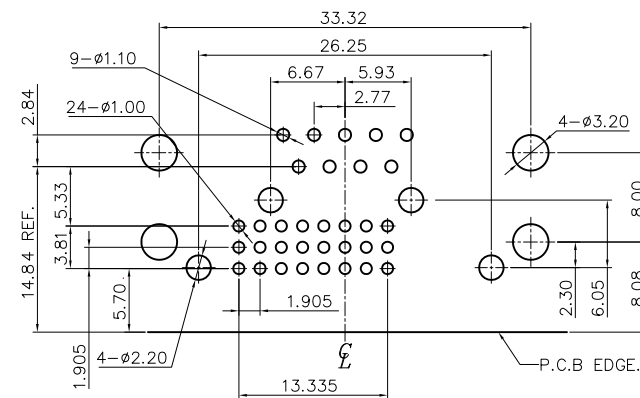
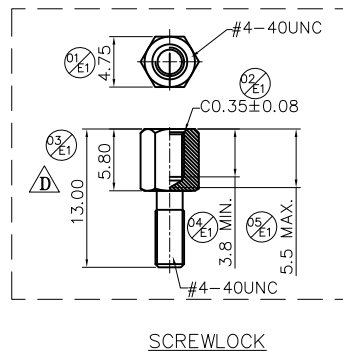
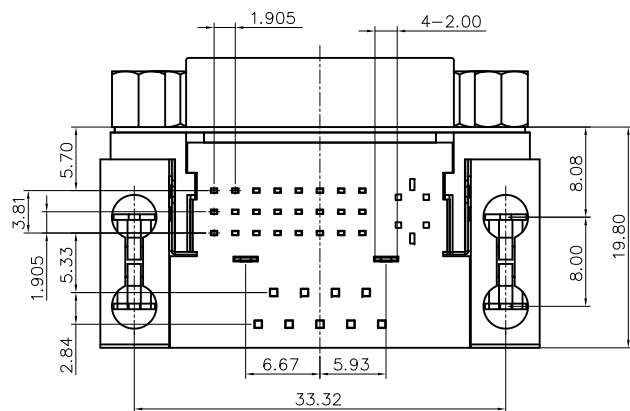
2. FINISH:
- 2.1 CONTACT: GOLD FLASH PLATED IN CONTACT AREA
80u" MIN. TIN PLATED IN SOLDER AREA
30u" MIN. NICKEL UNDERPLATED OVERALL.
 - 2.2 SHELL: 30u" MIN. NICKEL PLATED OVERALL.
 - 2.3 BRACKET: 30u" MIN. NICKEL PLATED OVERALL.
 - 2.4 DVI EMI SHIELD: 80u" MIN. TIN PLATED OVERALL.
 - 2.5 BOARD LOCK: 80u" MIN. TIN PLATED OVERALL.
 - 2.6 SCREWLOCK: 30u" MIN. NICKEL PLATED OVERALL.

3

3. SPECIFICATIONS
- 3.1 CURRENT RATING: 1A.
 - 3.2 CONTACT RESISTANCE: 20mΩ MAX.
 - 3.3 INSULATION RESISTANCE: 500MΩ MIN. AT DC 500V.
 - 3.4 DIELECTRIC WITHSTANDING VOLTAGE: AC 500V/60 SEC. R.M.S.
 - 3.5 OPERATING TEMPERATURE: -55°C ~ +105°C.
 - 3.6 INSERTION FORCE: PER CONTACT 341g. MAX.
 - 3.7 WITHDRAWAL FORCE: PER CONTACT 21g. MIN.

4. NOTES:
- 4.1 THIS COMPONENT AND ITS HOMOGENEOUS SUBCOMPONENTS ARE RoHS COMPLIANT.
 - 4.2 RESISTANCE TO SOLDERING HEAT: 265°C FOR 5 SECONDS, AND ONLY FOR WAVE SOLDERING PROCESS.

4

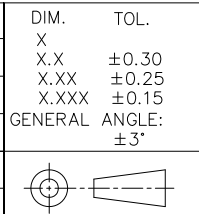


RECOMMENDED PCB LAYOUT(PCB THICKNESS: 1.60mm)
COMPONENT SIDE VIEW(TOLERANCE: ±0.05)

5

| REV. | DESCRIPTION | ECN NO. | NAME | DATE |
|------|--------------------------------|----------|------|-------------|
| E1 | MODIFY AND ADD DIMENSION | N1606001 | Duke | Aug.01.2016 |
| E0 | MODIFY D-SUB INSULATOR OUTLOOK | N1110027 | Jack | Nov.04.2011 |
| D | MODIFY DIMENSION | N0805019 | Jack | May.20.2008 |
| A | NEW RELEASE | | Jack | Nov.23.2007 |

REVISIONS



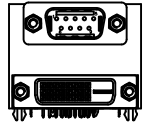
| | | | | |
|---|----------------|------------------|------------------|-------------|
| TITLE: COMBO D-SUB OVER DVI R/A DIP TYPE, WITH SCREWLOCK | | | | |
| DWG. NO.: C-DBBE70-10013PS164-RS | | | DRAWN: Duke | |
| PART NO.: DBBE70-10013PS164-RS | | | CHECKED: Kim | |
| UNIT: mm | SCALE: none | SHEET: 1 OF 2 | DWG. SIZE: A4 | LAYER: - |
| APPROVED: Kim | | | RFQ NO.: | |



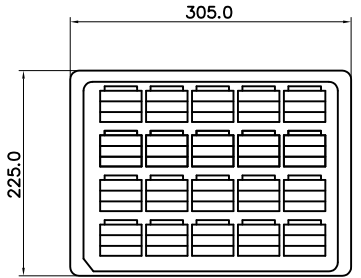


A B C D E

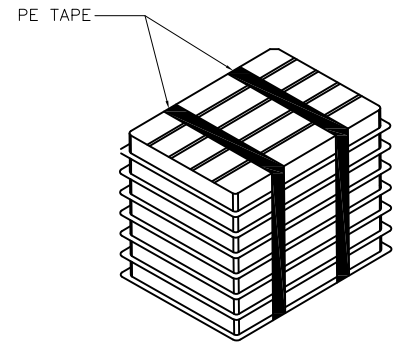
1 PACKING DRAWING



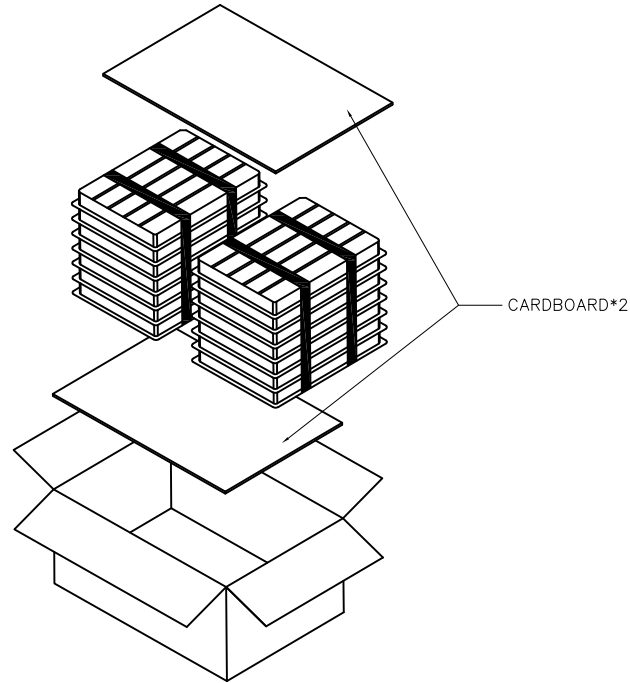
COMBO CONN.



NO.1 20 PCS/ TRAY



NO.2 7 TRAYS/ SHEAF



NO.3 280PCS/ 14 TRAYS/ 2 SHEAVES/ CARTON

- NOTES:
 1. 20 PCS/ TRAY.
 2. 7 TRAYS/ SHEAF.
 3. 280PCS/ 14 TRAYS/ 2 SHEAVES/ CARTON.
 4. CARTON MATERIAL:K=K.
 5. CARTON DIMENSION: L450* W310* H225mm.

| REV. | DESCRIPTION | ECN NO. | NAME | DATE |
|-----------|-------------|---------|------|------|
| REVISIONS | | | | |

| | |
|----------------|-------|
| DIM. | TOL. |
| X | |
| X.X | ±0.30 |
| X.XX | ±0.25 |
| X.XXX | ±0.15 |
| GENERAL ANGLE: | ±3° |

| | | | | |
|---|--------|---------------------------|------------|--------------|
| TITLE: COMBO D-SUB OVER DVI R/A DIP TYPE, WITH SCREWLOCK | | | | |
| DWG. NO.: | | C-DBBE70-10013PS164-RS-K1 | | DRAWN: Duke |
| PART NO.: | | DBBE70-10013PS164-RS-K1 | | CHECKED: Kim |
| UNIT: | SCALE: | SHEET: | DWG. SIZE: | LAYER: |
| mm | none | 2 OF 2 | A4 | - |
| APPROVED: Kim | | | | RFQ NO.: |

