

A

B

C

D

E

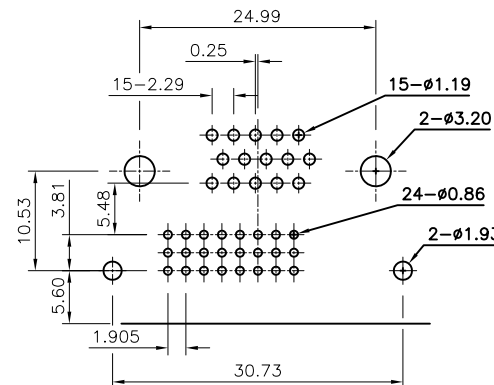
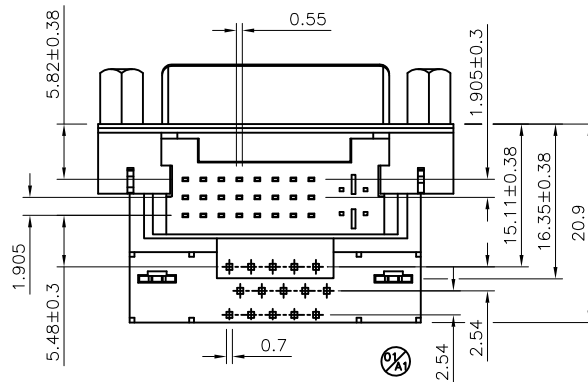
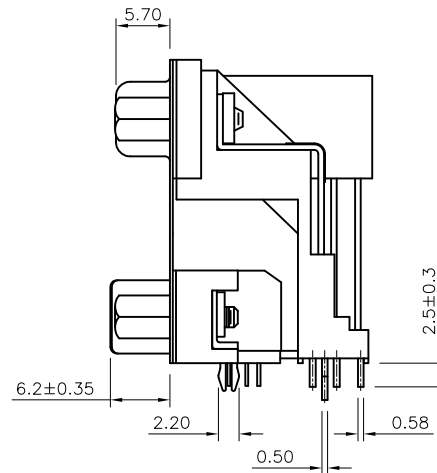
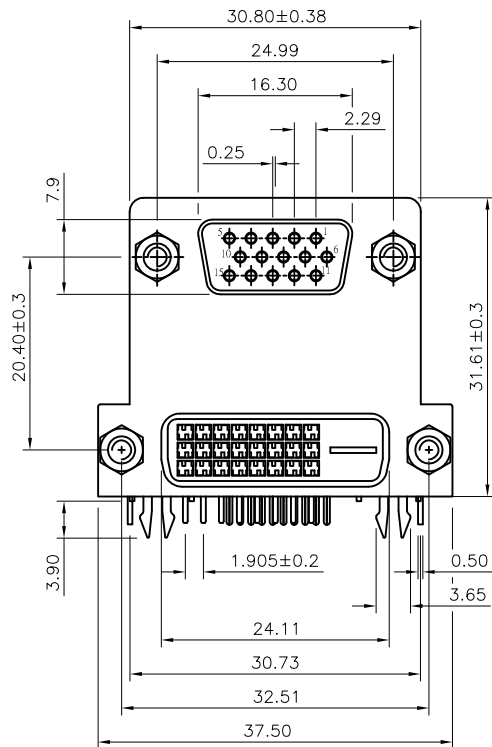
## NOTES:

## 1. MATERIAL:

- 1.1 D-SUB INSULATOR: PBT, UL94V-0; COLOR: SEE TABLE,
- 1.2 DVI INSULATOR: PBT, UL94V-0; COLOR: SEE TABLE,
- 1.3 D-SUB COVER: PBT, UL94V-0; COLOR: SEE TABLE,
- 1.4 DVI COVER: PA66, UL94V-0; COLOR: SEE TABLE,
- 1.5 BRACKET: PBT, UL94V-0; COLOR: SEE TABLE,
- 1.6 CONTACTS: BRASS,
- 1.7 SHELL: SPCC,
- 1.8 SHIELD: STAINLESS STEEL
- 1.9 BOARDLOCK: SPCC,
- 1.10 SCREW: STEEL.
- 1.11 RIVET: BRASS

## 2. FINISH:

- 2.1 CONTACTS(D-SUB): GOLD(SEE TABLE) PLATED ON CONTACT AREA, 80 $\mu$ " MIN. MATTE-TIN PLATED ON SOLDER AREA, 30 $\mu$ " MIN. NICKEL UNDERPLATED OVERALL.
- 2.2 SHELL: 50 $\mu$ " MIN. NICKEL PLATED ENTIRE, 30 $\mu$ " MIN. Cu UNDERPLATED.
- 2.3 RIVET: 50 $\mu$ " MIN. NICKEL PLATED ENTIRE, 30 $\mu$ " MIN. Cu UNDERPLATED.
- 2.4 BOARDLOCK: 80 $\mu$ " MIN. TIN PLATED ENTIRE, 30 $\mu$ " MIN. NICKEL UNDERPLATED OVERALL,
- 2.5 SCREW: 50 $\mu$ " MIN. NICKEL PLATED ENTIRE, 30 $\mu$ " MIN. Cu UNDERPLATED.
- 2.6 CONTACT(DVI): GOLD(SEE TABLE) PLATED ON CONTACT AREA, 100 $\mu$ " MIN. TIN PLATED ON SOLDER AREA, 50 $\mu$ " MIN. NICKEL UNDERPLATED OVERALL.

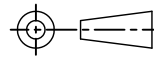


RECOMMENDED P.C.B LAYOUT(PCB THICKNESS: 1.6mm)  
COMPONENT SIDE VIEW(TOLERANCE:  $\pm 0.05$ )

5

REV.	DESCRIPTION	ECN NO.	NAME	DATE
A1	MODIFY VIEW AND NOTES $\text{M}$ $\text{N}$ $\text{P}$	ECN1606001	Rock	06-Jun-2016
A0	FIRST RELEASED	-	Owen	31-Mar-2015

## REVISIONS



DIM.	TOL.
X.	$\pm$ -
X.X	$\pm 0.30$
X.XX	$\pm 0.25$
X.XXX	$\pm 0.15$
ANGL	$\pm 3^\circ$

TITLE:  
COMBO D-SUB 15P + DVI 24+1P  
R/A DIP REC TYPE H31.60mm

DWG. NO.:  $\text{C} = \text{ACNCB210032}$

UNIT: mm    DWG SIZE: A4    SCALE: none    SHEET: 1 OF 2

DRAWN:

Rock

CHECKED:

Vic

APPROVED:

Kim



RFQ NO.:  
Q1412076

A

B

C

D

E

1

2

3

4

5

## 3. SPECIFICATIONS:

3.1 CURRENT RATING: 3.0A.

3.2 CONTACT RESISTANCE: 25mΩ MAX.

3.3 INSULATION RESISTANCE: 1000MΩ MIN.

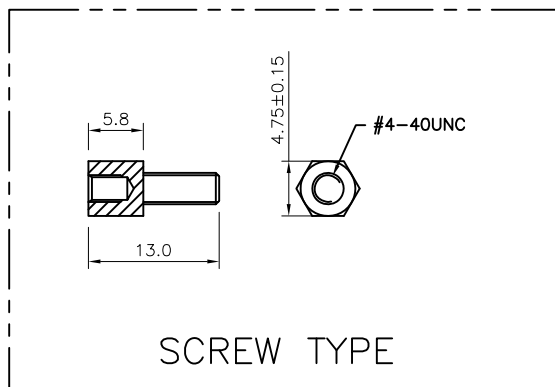
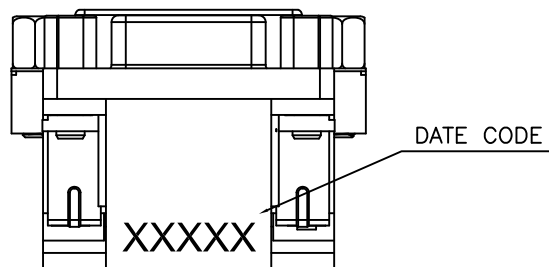
3.4 DIELECTRIC WITHSTANDING VOLTAGE: 1000VAC/MINUTE.

3.5 OPERATING TEMPERATURE: -55°C TO +105°C.

## 4. OTHERS:

4.1 THIS COMPONENT AND ITS HOMOGENEOUS SUB COMPONENTS  
ARE RoHS COMPLIANT.

Ⓢ 4.2 RESISTANCE TO SOLDERING HEAT 260°C FOR 5 SECONDS.

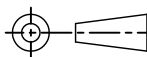


TRAY	G/F	BLUE(661C)	WHITE	BLUE(661C)	WHITE	BLUE(661C)	ACNCB210032-101
		BLACK	BLACK	BLACK	BLACK	BLACK	ACNCB210032-001
PACKING	PLATING	BRACKET INSULATOR	DVI COVER	D-SUB COVER	DVI INSULATOR	D-SUB INSULATOR	CPC P/N.

REV.	DESCRIPTION	ECN NO.	NAME	DATE

REVISIONS

DIM.	TOL.
X.	±
X.X	±
X.XX	±
X.XXX	±
ANGL	±



TITLE:  
COMBO D-SUB 15P + DVI 24+1P  
R/A DIP REC TYPE H31.60mm

DWG. NO.:  
C = ACNCB210032

UNIT: mm    DWG SIZE: A4    SCALE: none    SHEET: 2 OF 2

DRAWN:

Rock

CHECKED:

Vic

APPROVED:

Kim



RFQ NO.:  
Q1412076