

A

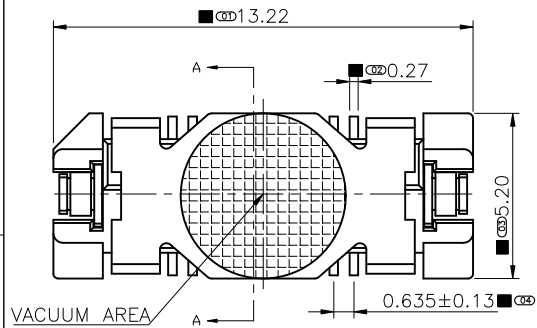
B

C

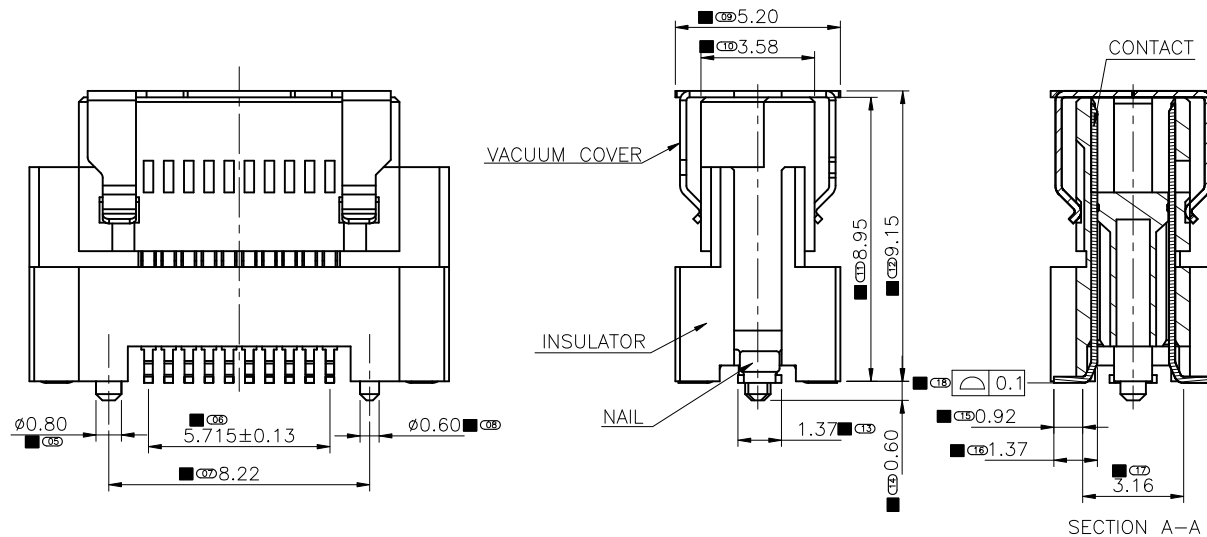
D

E

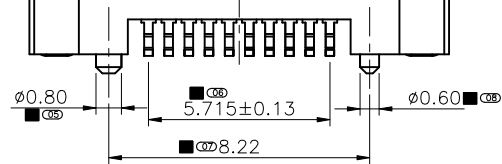
1



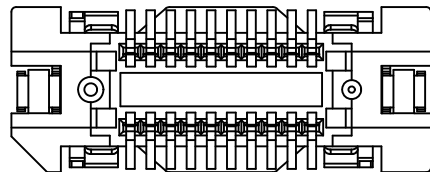
2



3

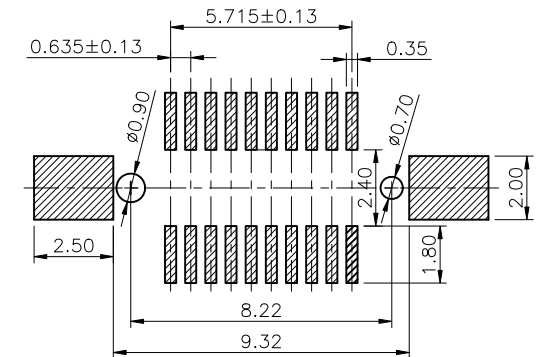


4



1. MATERIAL:
  - 1.1 INSULATOR: PPS+G.F, UL 94V-0.  
INSULATOR COLOR: BROWN.
  - 1.2 CONTACT: PHOSPHOR BRONZE, T=0.20mm, SELECTIVE 10u" MIN GOLD PLATED IN CONTACT AREA, 40u" MIN TIN PLATED IN SOLDER AREA, 30u" MIN. NICKEL UNDERPLATED OVERALL.
  - 1.3 NAIL: PHOSPHOR BRONZE, T=0.20mm, 40u" MIN TIN PLATED ON SURFACE 30u" MIN. NICKEL UNDERPLATED OVERALL.
  - 1.4 VACUUM COVER: STAINLESS STEEL, T=0.20mm.
2. SPECIFICATIONS:
  - 2.1 CURRENT RATING: 0.5A.
  - 2.2 CONTACT RESISTANCE: 50mΩ MAX.
  - 2.3 INSULATION RESISTANCE: 1000MΩ MIN.
  - 2.4 DIELECTRIC WITHSTANDING VOLTAGE: 250V AC/MINUTE.
  - 2.5 OPERATING TEMPERATURE: -40°C~+105°C.
3. NOTES:
  - 3.1 THIS COMPONENT AND ITS HOMOGENEOUS SUBCOMPONENTS ARE RoHS COMPLIANT.
  - 3.2 RESISTANCE TO SOLDERING HEAT: 265°C FOR 10 SECONDS.
  - 3.3. "■" MARKED AS QC INSPECTION ON SIZE
  - 3.4. "⊕" MARKED AS FAI INSPECTION ON SIZE
4. TOLERANCES:
 

DIM. X.X	± 13
X.XX	± 14
UNIT:	mm
GENERAL ANGLE:	± 16



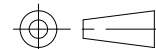
RECOMMENDED PCB LAYOUT(PCB THICKNESS: 1.6mm)  
COMPONENT SIDE VIEW(TOLERANCE: ±0.05)

5

REV.	DESCRIPTION	ECN NO.	NAME	DATE
A0	NEW RELEASE		WCM	2012.7.27

REVISIONS

DIM.	TOL.
X	±0.30
X.X	±0.20
X.XX	±0.15
X.XXX	±0.10
GENERAL ANGLE:	±3°



TITLE: BOARD TO BOARD 20PINS PH:0.635mm PLUG R/A SMT TYPE				
DWG. NO.: A-BB227DGJ2S4-210A			DRAWN: WCM	
PART NO.: BB227DGJ2S4-210A			CHECKED: Brant	
UNIT: mm	SCALE: none	SHEET: 1 OF 1	DWG. SIZE: A4	LAYER: XXX
APPROVED: Peter			RFQ NO.: Q1001178	

