

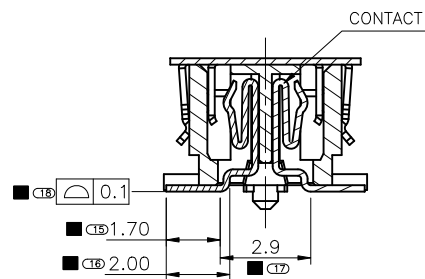
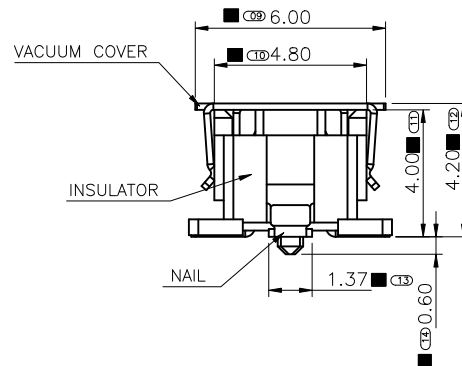
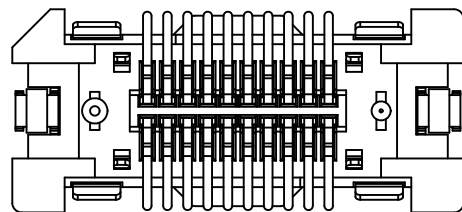
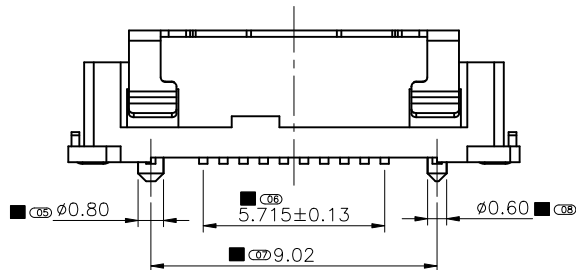
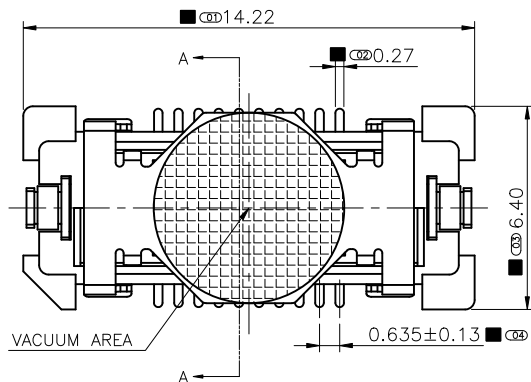
A

B

C

D

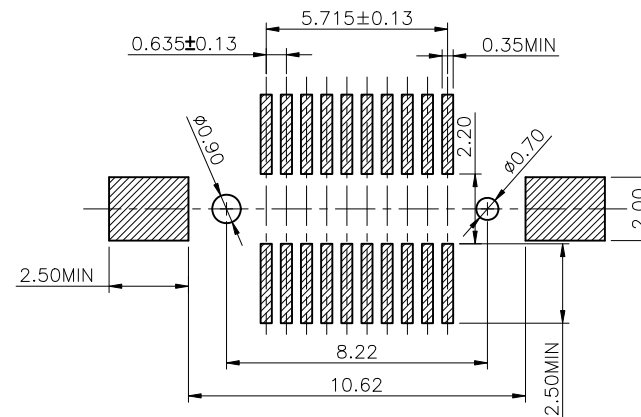
E



SECTION A-A

1. MATERIAL:
  - 1.1 INSULATOR: LCP, UL 94V-0.  
INSULATOR COLOR: NATURE.
  - 1.2 CONTACT: PHOSPHOR BRONZE, T=0.20mm, SELECTIVE 10u" MIN GOLD PLATED IN CONTACT AREA, 40u" MIN TIN PLATED IN SOLDER AREA, 30u" MIN. NICKEL UNDERPLATED OVERALL.
  - 1.3 NAIL: PHOSPHOR BRONZE, T=0.25mm, 40u" MIN TIN PLATED ON SURFACE 30u" MIN. NICKEL UNDERPLATED OVERALL.
  - 1.4 VACUUM COVER: STAINLESS STEEL, T=0.20mm.
2. SPECIFICATIONS:
  - 2.1 CURRENT RATING: 0.5A.
  - 2.2 CONTACT RESISTANCE: 40mΩ MAX.
  - 2.3 INSULATION RESISTNACE: 1000MΩ MIN.
  - 2.4 DIELECTRIC WITHSTANDING VOLTAGE: 500V AC/MINUTE.
  - 2.5 OPERATING TEMPERATURE: -40°C~+105°C.
3. NOTES:
  - 3.1 THIS COMPONENT AND ITS HOMOGENEOUS SUBCOMPONENTS ARE RoHS COMPLIANT.
  - 3.2 RESISTANCE TO SOLDERING HEAT: 265°C FOR 10 SECONDS.
  - 3.3. "■" MARKED AS QC INSPECTION ON SIZE  
"⊙" MARKED AS FAI INSPECTION ON SIZE
4. TOLERANCES:

DIM. X.X ± 0.3  
 X.XX ± 0.25  
 UNIT: mm  
 GENERAL ANGLE:  
 ±3



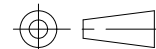
RECOMMENDED PCB LAYOUT(PCB THICKNESS: 1.6mm)  
 COMPONENT SIDE VIEW(TOLERANCE: ±0.05)

5

REV.	DESCRIPTION	ECN NO.	NAME	DATE
A1	NEW RELEASE		WCM	2012.7.26

REVISIONS

DIM.	TOL.
X	±0.30
X.X	±0.20
X.XX	±0.15
X.XXX	±0.10
GENERAL ANGLE: ±3°	



TITLE: BOARD TO BOARD 20PINS PH:0.635mm RECEPTACLE

R/A SMT TYPE

DWG. NO.: A-BB213DBA2S4-210A

DRAWN: WCM

PART NO.: BB213DBA2S4-210A

CHECKED: Brant

UNIT: mm

SCALE: none

SHEET: 1 OF 1

DWG. SIZE: A4

LAYER: XXX

APPROVED: Peter

RFQ NO.: Q1001177



ARTICLE: CPC-CN-002-C