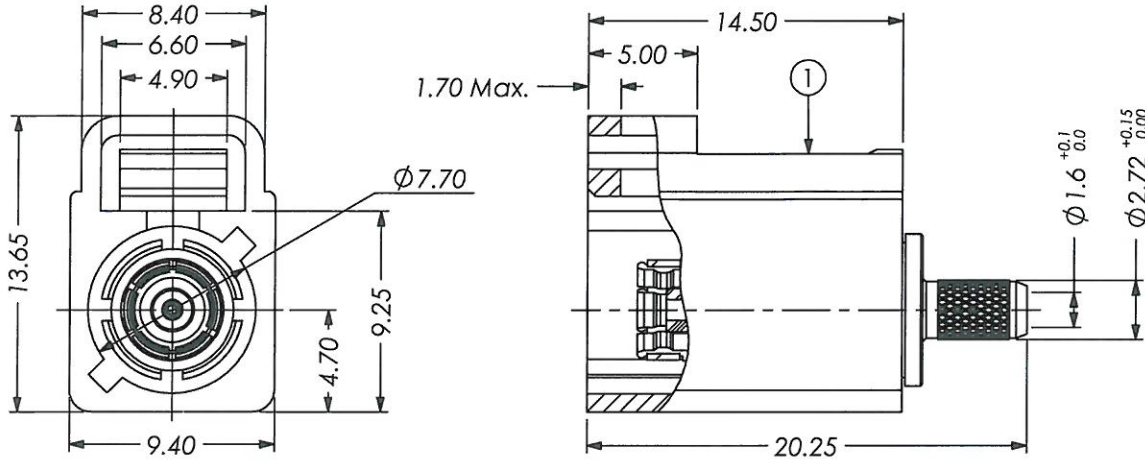
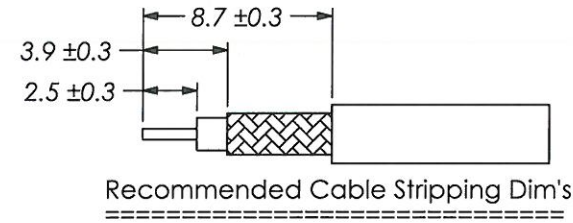
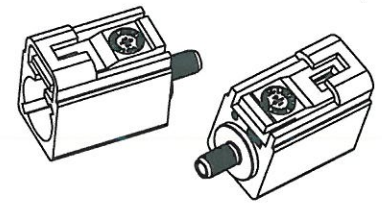
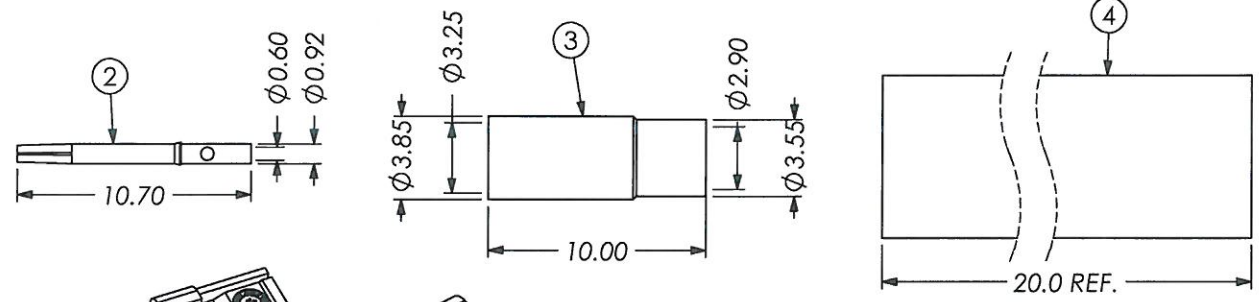


REV.	DESCRIPTION	DRAWN	ECN	DATE
1	Sample release (3001-16009-04015)	Iris	S16-042	11-01-2016



**36215-7X01**  
CODE

CODE	CODE REFERENCE CHART		CODE
A	Black 9005	Violet 4003	H
B	Cream white 9001	Beige 1001	I
C	Blue 5005	Curry 1027	K
D	Bordeaux 4004	Carmin red 3002	L
E	Green 6002	Pastel orange 2003	M
F	Brown 8011	Pastel green 6019	N
G	Gray 7031	Water blue 5021	Z



**ELECTRICAL PERFORMANCE :**  
 1. Impedance : 50 ohms  
 2. Frequency Range : DC~ 4 GHz  
 3. Working Voltage : 335 Vrms Max.  
 4. Dielectric Withstanding Voltage : 1000 Vrms Min.

4	Shring Tube	PE	Black	1
3	Ferrule	Brass	Nickel	1
2	Contact	Be Copper	Gold	1
1	Housing	Nylon 66	By code color	1
	C-Ring	Be Copper	Natural	1
	Insulator	Teflon	Natural	1
	Body	Brass	Nickel	1
Item	Description	Material	Finished	Q'ty

**RoHS**  
COMPLIANT  
2011/65/EU

UNLESS OTHERWISE SPECIFIED ALL TOLERANCES ARE :

DIMENSION	TOLERANCE	ANGLE	TOLERANCE
INTEGRAL DIMENSIONS	±1.0	ANGULAR DIMENSIONS	±5.0°
1 PLACE DECIMAL	±0.5	HOLES UNDER Ø0.5	±0.1
2 PLACE DECIMALS	±0.25	ROUGHNESS	

FINISH: SEE TABLE MATERIAL: SEE TABLE

**nicon** Precise Corp.

DRAWN BY:	Iris	DATE:	11-01-2016
ENGR BY:	<i>Candy</i>	DATE:	11/9/2016
APVD BY:		DATE:	

TITLE: FAKRA SMB ST. FEMALE CRIMP FOR RG174 CABLE			
Model NO:		36215-7X01	
Drawing NO:		12-36215-7X01	
UNIT:	MM	SIZE:	A4
SCALE:	3:1	SHEET:	1 OF 1
REV. 1		CAD FILE:	
		Micon-M/Micon-TP/ Sample/Fakra	