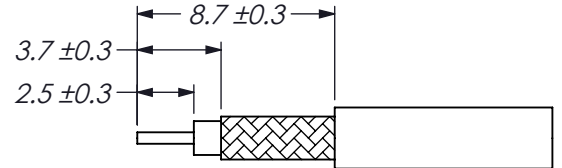
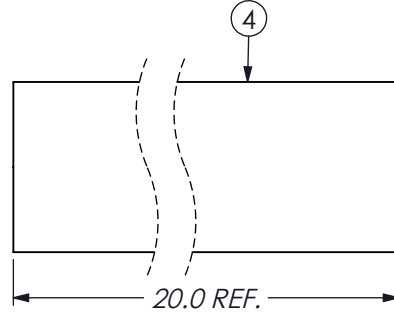
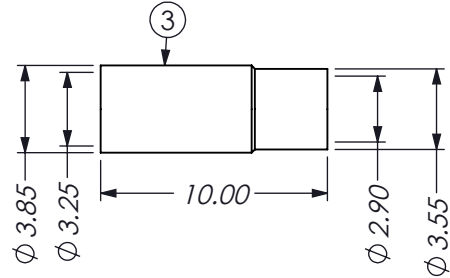
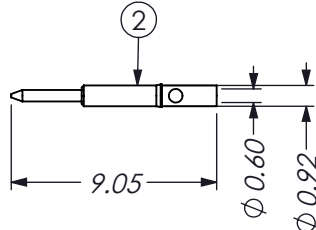
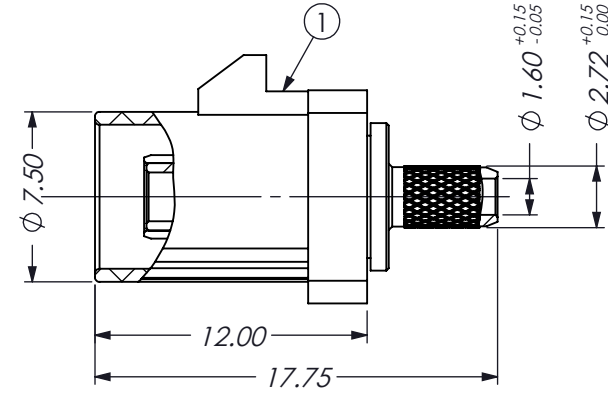
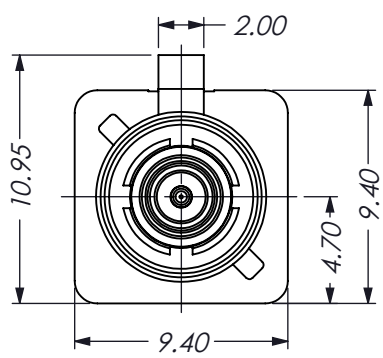
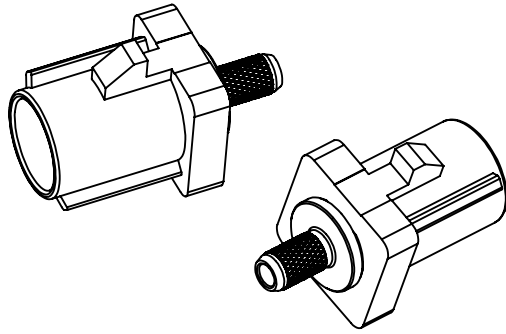


REV.	DESCRIPTION	DRAWN	ECN	DATE
X	Proposal (3001-16009-04015)	Iris	X	08-18-2016
1	Sample release (3001-16009-04015)	Iris	S16-036	09-23-2016



Recommended Cable Stripping Dim's



36214-7X02

CODE

CODE	CODE REFERENCE CHART	CODE
A	Black 9005	Violet 4003
B	Cream white 9001	Beige 1001
C	Blue 5005	Curry 1027
D	Bordeaux 4004	Carmine red 3002
E	Green 6002	Pastel orange 2003
F	Brown 8011	Pastel green 6019
G	Gray 7031	Water blue 5021

ELECTRICAL PERFORMANCE :

- 1.Impedance : 50 ohms
- 2.Frequency Range : DC~ 4 GHz
- 3.Working Voltage : 335 Vrms Max.
- 4.Dielectric Withstanding Voltage : 1000 Vrms Min.

4	Shring Tube	PE	Black	1
3	Ferrule	Brass	Nickel	1
2	Contact	Brass	Gold	1
1	Housing	Nylon 66	By code color	1
	Insulator	Teflon	Natural	1
	Body	Brass	Nickel	1
Item	Description	Material	Finished	Q'ty

RoHS

COMPLIANT
2011/65/EU

UNLESS OTHERWISE SPECIFIED ALL TOLERANCES ARE :

DIMENSION	±1.0	ANGLE	±5.0°
INTEGRAL DIMENSIONS	±0.5	ANGULAR DIMENSIONS	±0.1
1 PLACE DECIMAL	±0.25	HOLES UNDER Ø0.5	±0.1
2 PLACE DECIMALS		ROUGHNESS	
	FINISH: SEE TABLE		MATERIAL: SEE TABLE

nicon Precise Corp.

DRAWN BY:	Iris	DATE:	08-18-2016
ENGR BY:		DATE:	
APVD BY:		DATE:	

TITLE: FAKRA SMB ST. JACK CRIMP FOR RG174 CABLE

Model NO: 36214-7X02

Drawing NO: 12-36214-7X02

UNIT:	MM	SIZE:	A4	REV:	1	CAD FILE:	Micon-M/Micon-TP/ Sample/Fakra
SCALE:	3:1	SHEET:	1	OF 1			