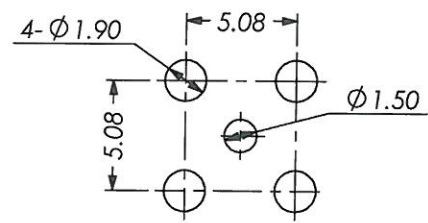
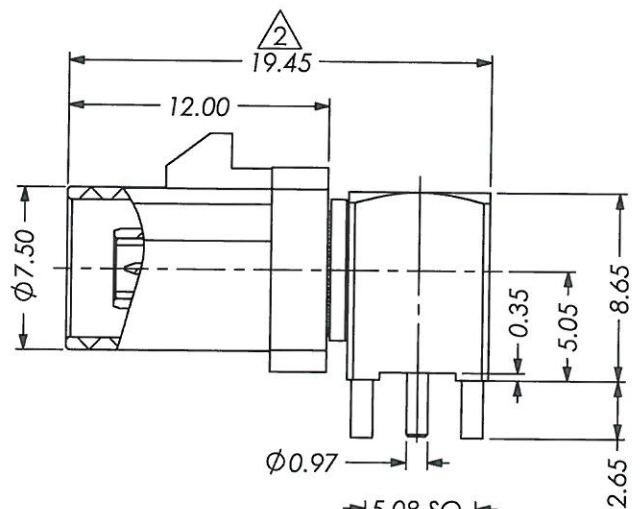
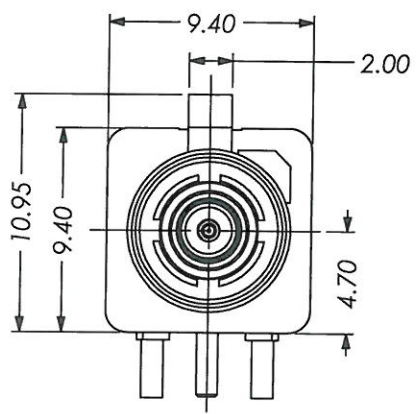


REV.	DESCRIPTION	DRAWN	ECN	DATE
1	Proposal (3001-16009-04015)	Iris	X	08-18-2016
2	Dim. 20.8=>19.45 (3001-16009-04015)	Iris	X	10-13-2016
3	Sample release (3001-16009-04015)	Iris	S16-041	10-17-2016

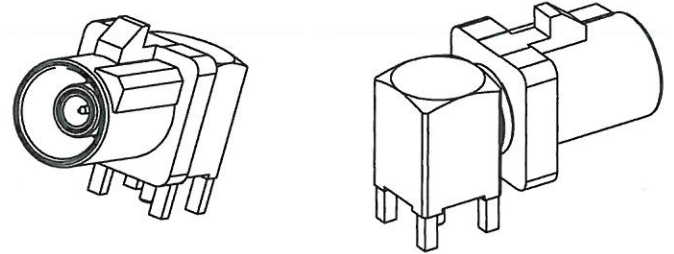
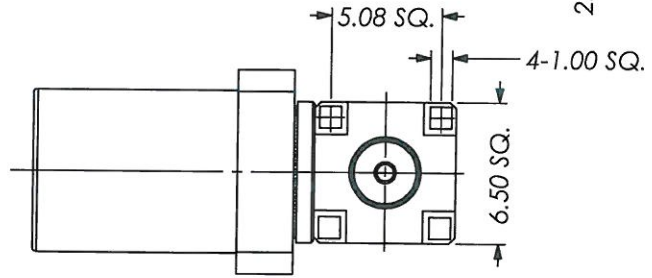
36112-7X02

CODE

CODE		CODE REFERENCE CHART		CODE	
A	Black 9005	Violet 4003		H	
B	Cream white 9001	Beige 1001		I	
C	Blue 5005	Curry 1027		K	
D	Bordeaux 4004	Carmine red 3002		L	
E	Green 6002	Pastel orange 2003		M	
F	Brown 8011	Pastel green 6019		N	
G	Grey 7031	Water blue 5021		Z	



Recommended PCB Hole



ELECTRICAL PERFORMANCE :
 1.Impedance : 50 ohms
 2.Frequency Range : DC~ 4 GHz
 3.Working Voltage : 335 Vrms Max.
 4.Dielectric Withstanding Voltage : 1000 Vrms Min.

4	Housing	Nylon 66	By code color	1
3	Insulator	PTFE	Natural	1
2	Contact	Brass	Gold	1
1	Body	Brass	Nickel	1
Item	Description	Material	Finished	Q'T

RoHS
 COMPLIANT
 2011/65/EU

UNLESS OTHERWISE SPECIFIED ALL TOLERANCES ARE :

DIMENSION		ANGLE	
INTEGRAL DIMENSIONS	±1.0	ANGULAR DIMENSIONS	±5.0°
1 PLACE DECIMAL	±0.5	HOLES UNDER Ø0.5	±0.1
2 PLACE DECIMALS	±0.25	ROUGHNESS	

FINISH: SEE TABLE MATERIAL: SEE TABLE

nicon Precise Corp.

DRAWN BY:	Iris	DATE:	08-18-2016
ENGR BY:	Andy	DATE:	11/7/2016
APVD BY:	Reto	DATE:	11/7/2016

TITLE: FAKRA SMB R/A JACK PCB RECEPTACLE

Model NO: 36112-7X02

Drawing NO: 12-36112-7X02

UNIT:	MM	SIZE:	A4	REV.	3	CAD FILE:	Sample/Iris
SCALE:	3:1	SHEET	1 OF 1	/3001-2016/36112			