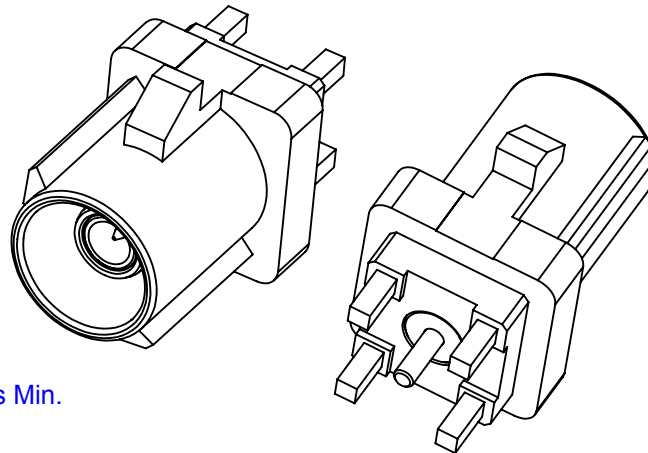
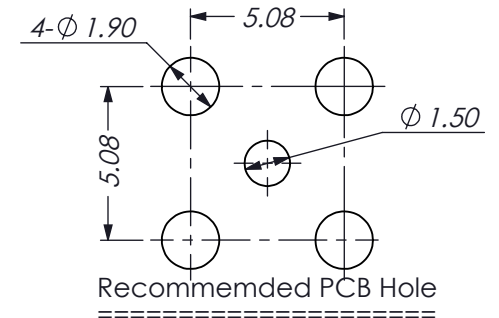
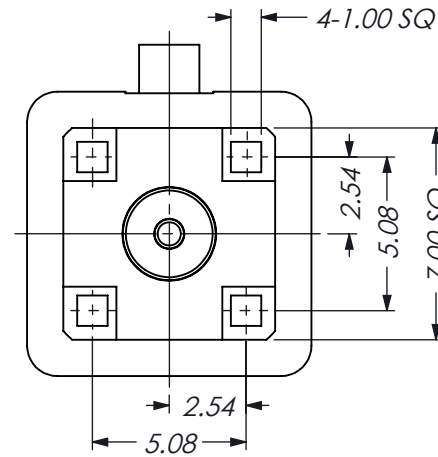
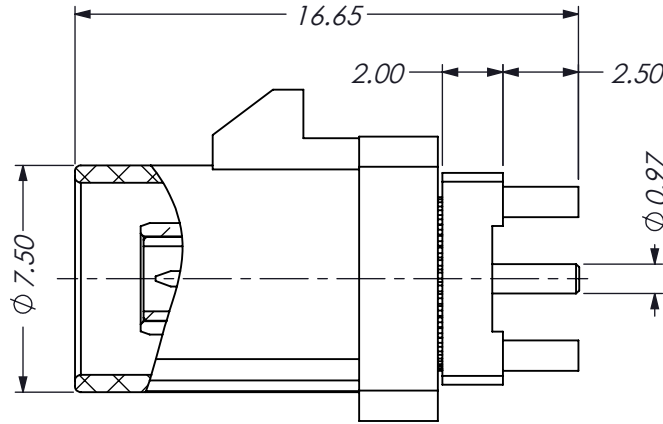
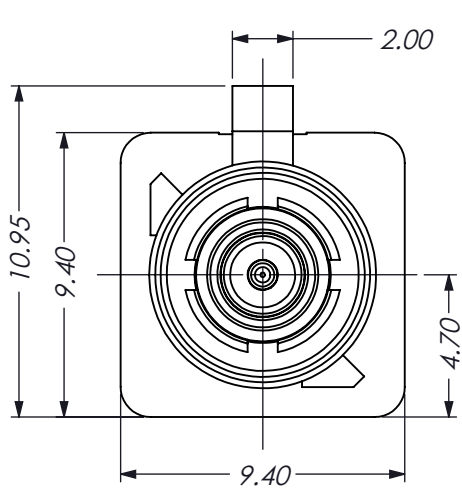


This drawing for proposal only !!

REV.	DESCRIPTION	DRAWN	ECN	DATE
1	Proposal (3002-17002)	Iris	X	02-03-2016



ELECTRICAL PERFORMANCE :
 1. Impedance : 50 ohms
 2. Frequency Range : DC~ 4 GHz
 3. Dielectric Withstanding Voltage : 1000 Vrms Min.
 4. VSWR: 1.35 Max.

4	Housing	Nylon 66	Blue	1
3	Insulator	PTFE	Natural	1
2	Contact	Brass	Gold	1
1	Body	Brass	Gold	1
Item	Description	Material	Finished	Q/T

RoHS

COMPLIANT
2011/65/EU

UNLESS OTHERWISE SPECIFIED ALL TOLERANCES ARE :

DIMENSION	±1.0	ANGLE	±5.0°
INTEGRAL DIMENSIONS	±0.5	ANGULAR DIMENSIONS	±0.1
1 PLACE DECIMAL	±0.25	HOLES UNDER Ø0.5	±0.1
2 PLACE DECIMALS		ROUGHNESS	
	FINISH: SEE TABLE		MATERIAL: SEE TABLE

micon Precise Corp.

DRAWN BY:	Iris	DATE:	02-03-2017
ENGR BY:		DATE:	
APVD BY:		DATE:	

TITLE: Fakra N Code SMB St. Jack PCB Receptacle

Model NO: 36009-7N02

Drawing NO: 12-36009-7N02

UNIT:	MM	SIZE:	A4	REV.	1	CAD FILE:	Micon-M/Micon-TP/ Sample/connector
SCALE:	4:1	SHEET	1	OF	1		