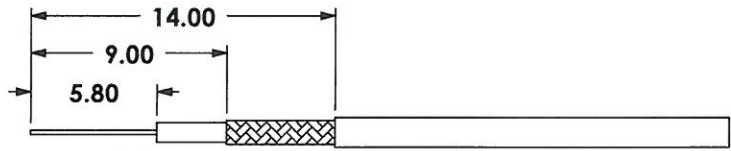
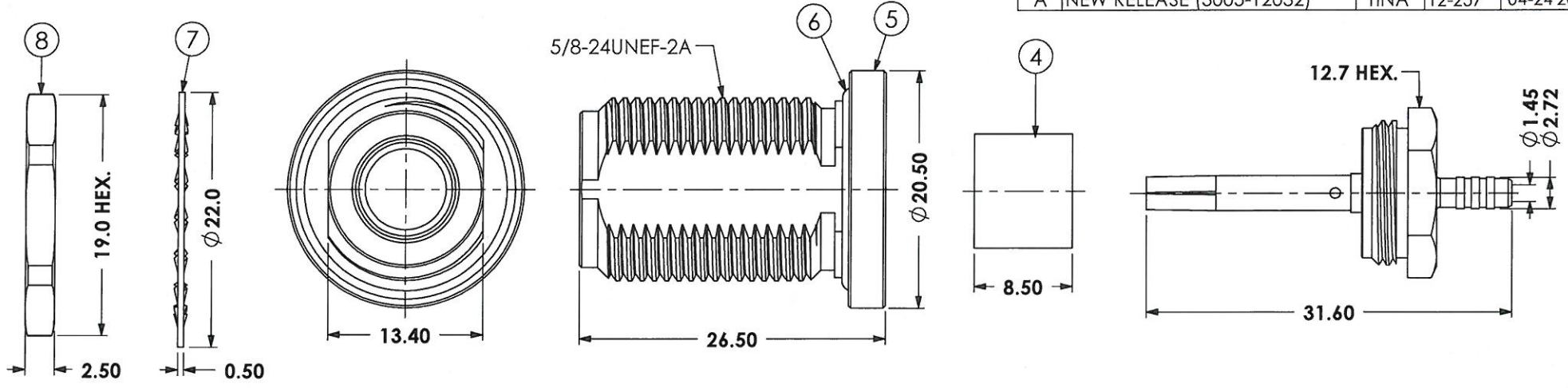
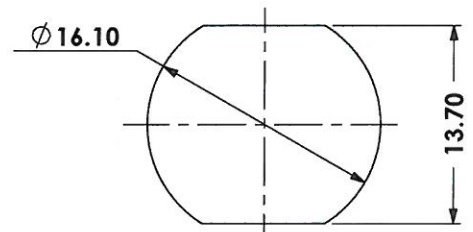
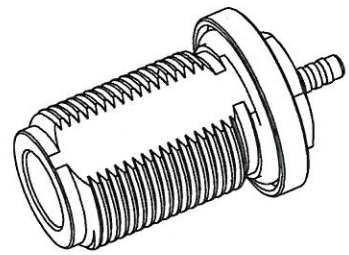


REV.	DESCRIPTION	DRAWN	ECN	DATE
1	SAMPLE RELEASE (3007-11570)	TINA	S11-073	09-20'2011
A	NEW RELEASE (3005-12032)	TINA	12-257	04-24'2012



Recommended Cable Stripping Dim's



Recommended Panel Hole



Electrical Performance:
 1. Nominal Impedance: 50 Ohms.
 2. Frequency Range: 0 ~ 3.0 Ghz.
 3. Dielectrical Withstanding Voltage: 750 VRMS Max.

SUB-ASS'Y P/No.:12209-5001= 1+2+3

ITEMS	PART NUMBER	DESCRIPTION	Q'TY
8	076001-109	NUT	1
7	086005-109	LOCK WASHER	1
6	12205-1201	O-RING	1
5	12205-0101	BODY	1
4	12205-0301	INSULATOR	1
3	12205-0401	CONTACT	1
2	12205-0302	INSULATOR	1
1	12209-0101	BODY	1

RoHS
 COMPLIANT
 2002/95/EC

UNLESS OTHERWISE SPECIFIED ALL TOLERANCES ARE :

DIMENSION	TOLERANCE	ANGLE	TOLERANCE
INTEGRAL DIMENSIONS	±1.0	ANGULAR DIMENSIONS	±5.0°
1 PLACE DECIMAL	±0.5	HOLES UNDER Ø0.5	±0.1
2 PLACE DECIMALS	±0.25	ROUGHNESS	

FINISH: SEE TABLE MATERIAL: SEE TABLE

nicon Precise Corp.

DWN BY:	TINA	DATE:	09-20'2011
CHK BY:	<i>Yang</i>	DATE:	<i>04/25/2012</i>
APVD BY:	<i>JAS</i>	DATE:	<i>4/25/2012</i>

TITLE: N ST. JACK BULKHEAD CRIMP TYPE FOR Ø1.37 CABLE			
Model NO:		12209	
Drawing NO:		12-12209	
UNIT:	MM	SIZE: A4	REV. A
SCALE:	2:1	SHEET	1 OF 1
CAD FILE: NEW Dwg\12XXX 12209			