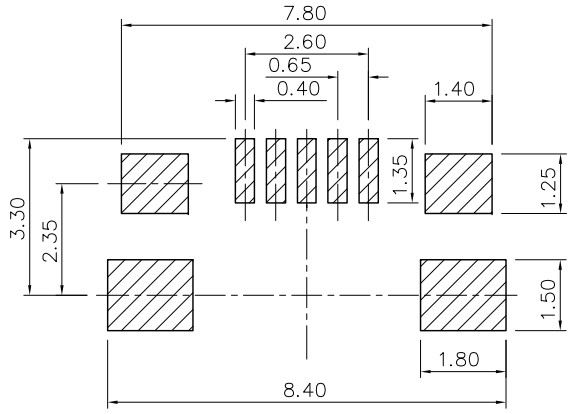
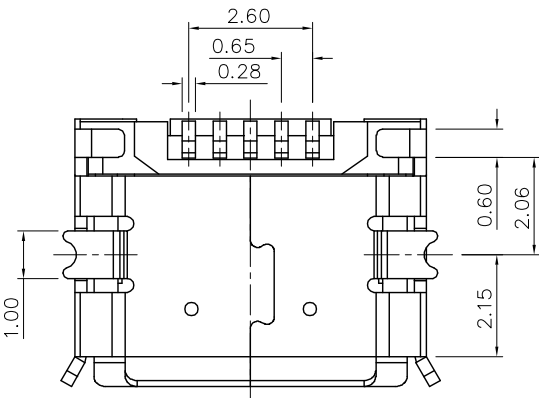
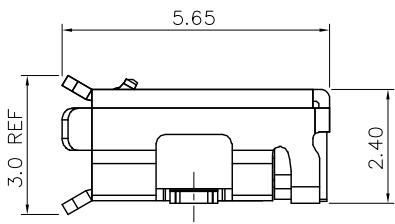
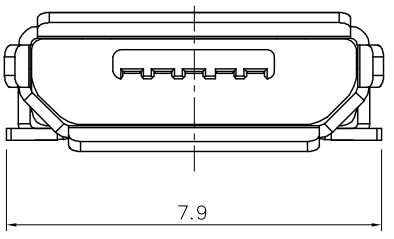
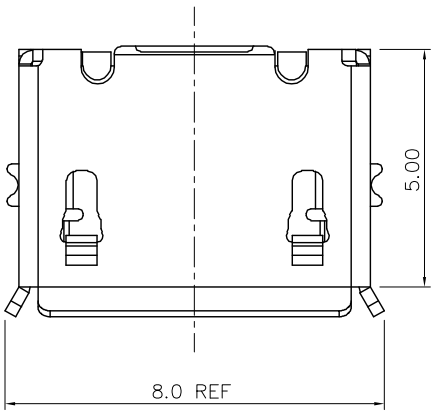


A B C D E



RECOMMENDED P.C.B LAYOUT
COMPONENT SIDE VIEW(TOLERANCE: ±0.05)

1. MATERIAL:
 - 1.1 INSULATOR: LCP, UL94V-0; COLOR: BLACK.
 - 1.2 CONTACT: BRASS.
 - 1.3 SHELL: STEEL. (0/A1)
2. FINISH:
 - (0/A2) 2.1 CONTACTS: GOLD FLASH PLATED ENTIRE
30μ" MIN. NICKEL UNDERPLATED OVERALL.
 - 2.2 SHELL: 80μ" MIN. TIN PLATED ENTIRE
30μ" MIN. NICKEL UNDERPLATED OVERALL.
3. ELECTRICAL CHARACTERISTICS
 - 3.1 CURRENT RATING: 0.5 A.
 - 3.2 CONTACT RESISTANCE: 30mΩ MAX.
 - 3.3 INSULATION RESISTANCE: 100MΩ MIN.
 - 3.4 DIELECTRIC WITHSTANDING VOLTAGE: AC250V PER MINUTE.
 - 3.5 OPERATING TEMPERATURE: -30°C ~ +80°C.
4. NOTES:
 - 4.1 THIS COMPONENT AND ITS HOMOGENEOUS SUBCOMPONENTS ARE RoHS COMPLIANT.
 - 4.2 RESISTANCE TO REFLOW SOLDERING HEAT: 235°C FOR 5 SECONDS
 - 4.3 SOLDER TAIL COPLANARITY 0.12mm MAX.

1
2
3
4

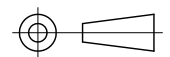
5

REEL	ACNUB220065-001
PACKING	CPC P/N.

REV.	DESCRIPTION	ECN NO.	NAME	DATE
A2	MODIFY CNOTACT FINISH (0/A2)	N1508001	Energy	05-AUG-2015
A1	ADD PACKING DRAWING AND MODIFY SHELL MATERIAL (0/A1)	N1507010	Energy	24-JUL-2015
A0	FIRST RELEASED	-	Duke	13-JUL-2015

REVISIONS

DIM.	TOL.
X.	± -
X.X	± 0.30
X.XX	± 0.25
X.XXX	± 0.15
ANGLE	± 3'



TITLE: MICRO USB B TYPE 5P R/A SMT REC H2.4 W/O POST			
DWG. NO.: C = ACNUB220065			
UNIT: mm	DWG SIZE: A4	SCALE: none	SHEET: 1 OF 2

DRAWN: ENERGY
CHECKED: PENNY
APPROVED: PETER

RFQ NO.:
Q1502053-3

A

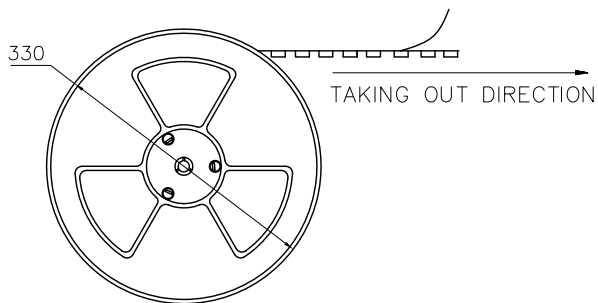
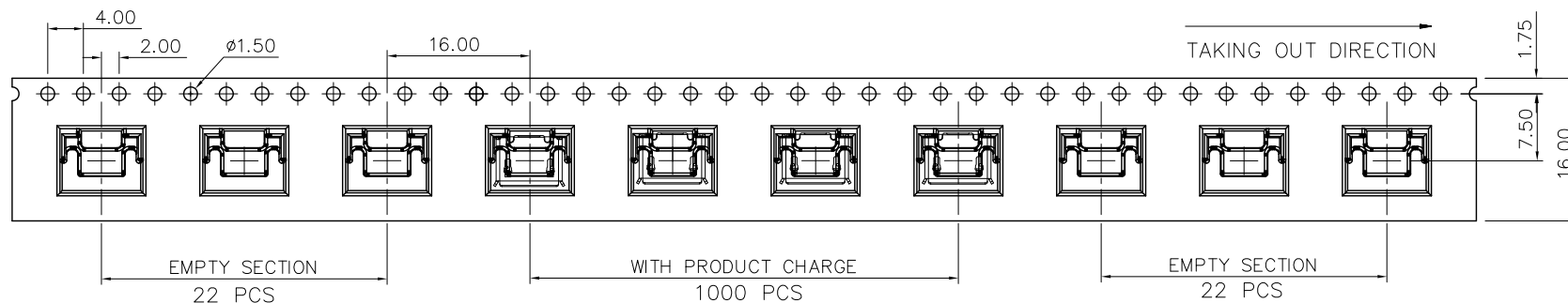
B

C

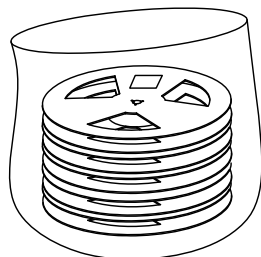
D

E

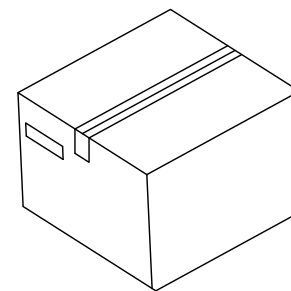
NOTES:
1. OUTER CARTON DIMENSION: 345mm*345mm*310mm.



NO.1 1000 PCS/REEL



NO.2 14 REEL/OUTER CARTON



NO.3 14000 PCS/OUTER CARTON

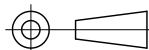
REEL	ACNUB220065-001
PACKING	CPC P/N.

5

REV.	DESCRIPTION	ECN NO.	NAME	DATE
A0	FIRST RELEASED	-	-	DD-MMM-YYYY

REVISIONS

DIM.	TOL.
X.	± -
X.X	± -
X.XX	± -
X.XXX	± -
ANGLE	± -'



TITLE: MICRO USB B TYPE 5P R/A SMT REC H2.4 W/O POST			
DWG. NO.: C=ACNUB220065-K1			
UNIT: mm	DWG SIZE: A4	SCALE: none	SHEET: 2 OF 2

DRAWN: ENERGY
CHECKED: PENNY
APPROVED: PETER



RFQ NO.:
Q1502053-3